

MRBX

Mobile Robot
Workbox

The Machine Tending System



MRBX

Dimensions

H: 42.7 in (1084 mm)

D: 37.4 in (950 mm)

W: 33.9 in (860 mm)

Custom Array Table Size

26.3 in x 30 in OD (668 mm x 762 mm)

Maximum Load on Cart Weight

550 lbs (250 kg)

Overall Weight (no robot)

500 lbs (227 kg)

1 Year Warranty

- Requires Automatics Machine Chuck(s)
- Safety considerations for safety scanners. TBD amount of feet clear to side and front.
- Required inputs and outputs from CNC equipment TBD

Easy, Quick Installation

Design Your Own Flexible Array Table

Pick Your Robot/ Cobot

Low Cost

Quick ROI



MRBX Mobile Robot Workbox

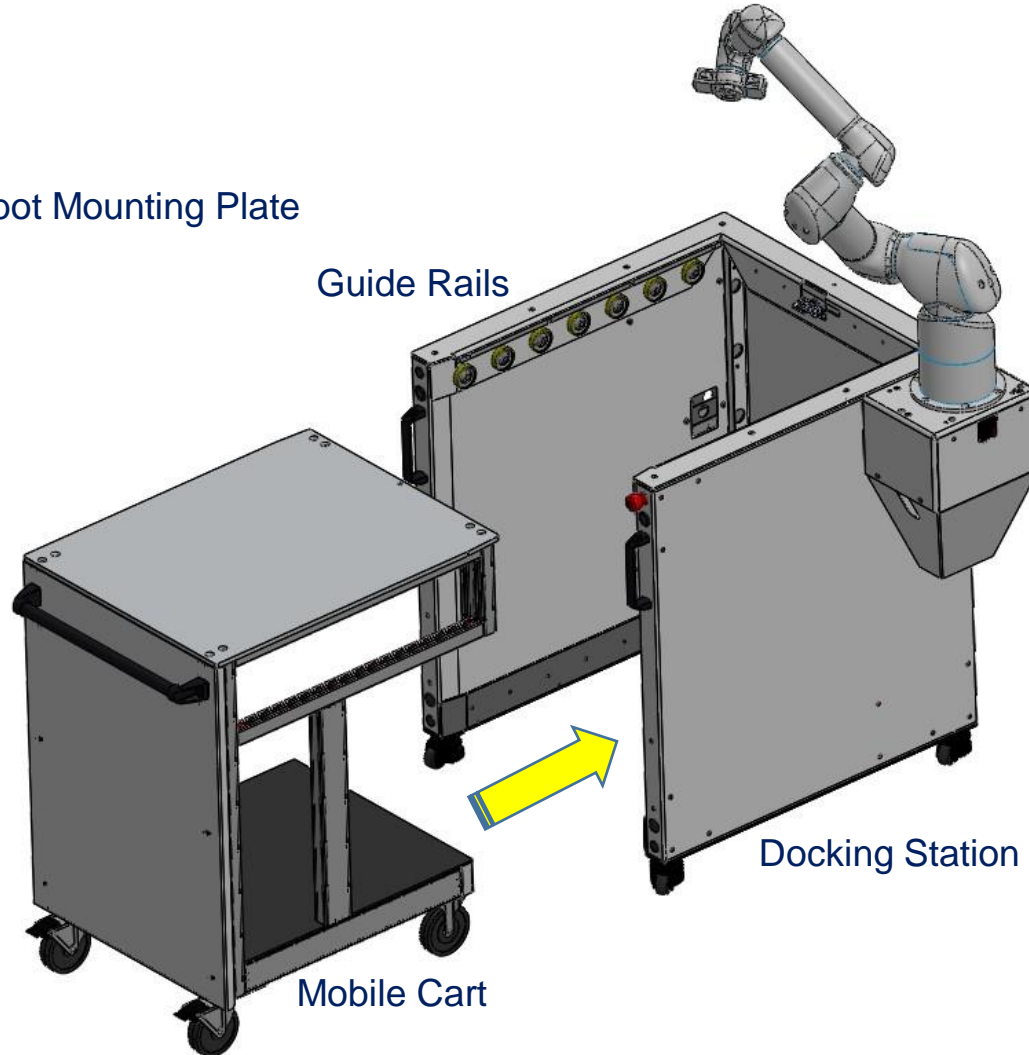
Shown with OB7 Collaborative Robot



E-Stop

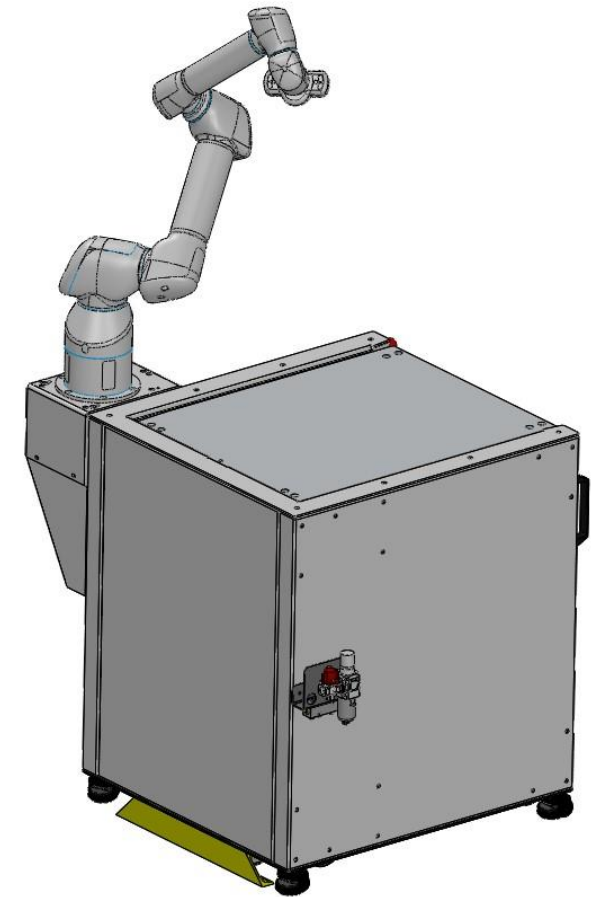
Robot Mounting Plate

Guide Rails



Docking Station

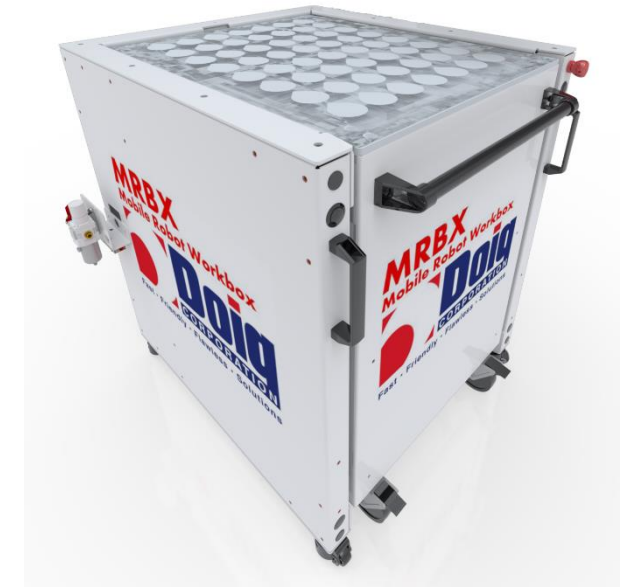
Mobile Cart



Docking Floor Mount

Optional Laser Safety
Scanners Mounted
on 2 Corners

MRBX Mobile Robot Workbox



Custom Part Array Table

- 26.3 in x 30 in OD (668 mm x 762 mm)
- Design to your own parts and needs
- Easily replaceable
- Allows height adjustment of part in fixture
- 1 custom plate included in cart purchase





MRBX Pricing – Industrial Robot

- MRBX Workbox with 1 cart
- Epson VT6L 6 Axis Robot
- Teach Pendant
- Gripper Allowance
- 2 Safety Laser Scanners
- 1 Day Install & Robot Programming Support
- Delivery to Your Business



Additional Carts Available

Additional Integration Support Available





MRBX Pricing – Collaborative Robot

- MRBX Workbox with 1 cart
- Productive Robotics OB7 7Axis Cobot
- Control Tablet
- Gripper Allowance
- 1 Day Install & Robot Programming Support
- Delivery to Your Business

Additional Carts Available

Additional Integration Support Available

