

numatics®

Precision Regulators



www.numatics.com

Table of Contents

Features and Benefits	3
Electropneumatic Transducer	4-5
Economy Miniature Electropneumatic Transducer	6-7
Miniature Electropneumatic Transducer	8-9
Precision Regulator	10-11
High Flow Precision Regulator	12-13
Ratio Relay Volume Booster	14-15
Instrument Air Regulator	16-17
Replacement Parts and Kits	18



1. Economy Miniature Electro-Pneumatic Transducer – R84 Series

- I/P and E/P Versions
- Magnet Coil Technology

2. High Flow Precision Regulator – R88 Series

- R880 High Flow Regulator
- R881 Back Pressure Precision Regulator

3. Ratio Relay Volume Booster – R87 Series

- Precision Air Pilot Regulator
- 1:1 and 1:6 Ratios Available

4. Instrument Air Regulator – R89 Series

- Precision Regulator
- Integral 5 Micron Filter – Manual Drain

5. Electro-Pneumatic Transducer – R83 Series

- I/P and E/P Versions
- Magnet Coil Technology

6. Precision Regulator – R80 Series

- R800 Standard Series
- R820 High Relief Series

7. Miniature Electro-Pneumatic Transducer – R85 Series

- I/P and E/P Versions
- Piezo Electric Technology

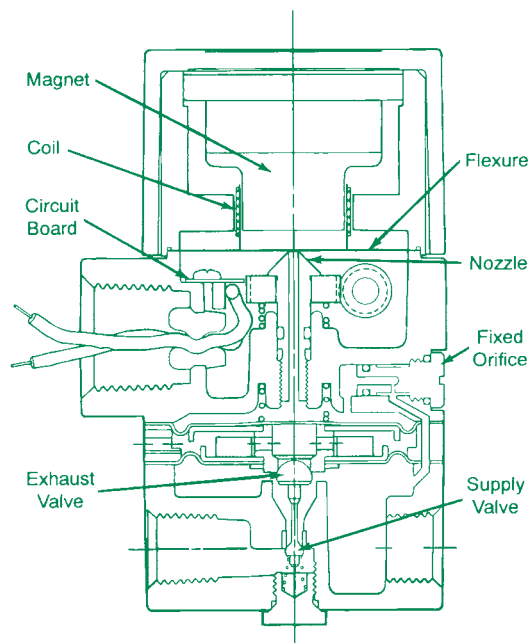
I/P, E/P R83 Series

Application

The Electropneumatic Transducer (I/P, E/P) converts a current or voltage input signal to a linearly proportional pneumatic output pressure. This versatile instrument is designed for control applications that require a high degree of reliability and repeatability at an economical cost. These units are used for applications that require the operation of valve actuators, pneumatic valve positioners, damper and louver actuators, final control elements, relays, air cylinders, web tensioners, clutches, and brakes.

Features

- Integral volume booster
- Compact size
- Low air consumption
- Field reversible
- Flexible zero and span adjustments
- Standard process inputs
- Split ranging
- FM - NEMA 4x
- CE Approved

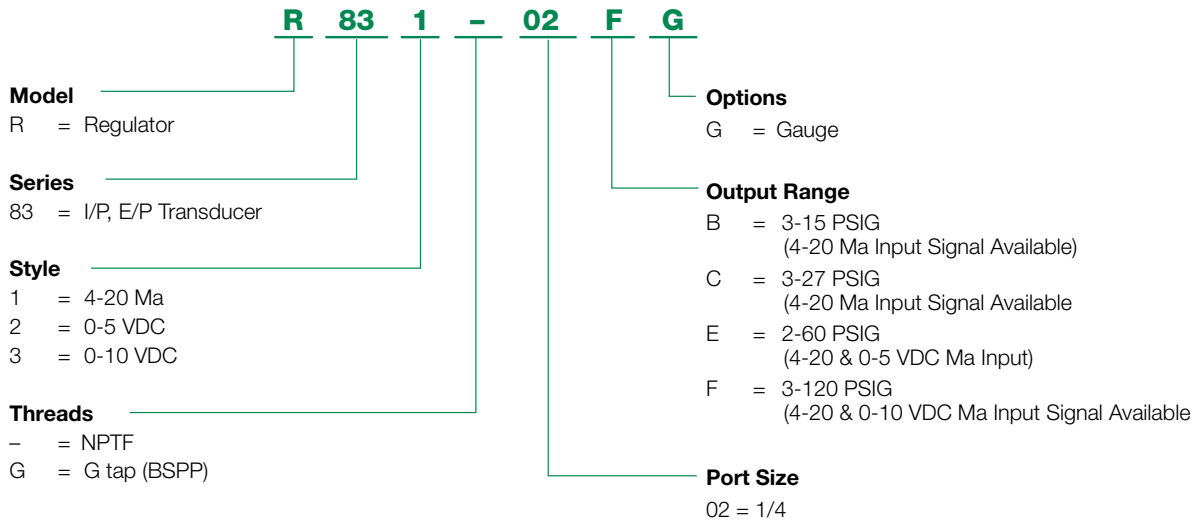


Specifications

	Low Output Range (Up to 30 PSIG)	High Output Range (Up to 120 PSIG)
Min./Max. Supply Pressure:	minimum 3 PSIG (21 kPa) above maximum output maximum 100 PSIG (700 kPa)	minimum 5 PSIG (35 kPa) above maximum output maximum 150 PSIG (1050 kPa)
Supply Pressure Sensitivity	< +/- .1% of span per PSIG (< +/- .15% of span per 10 kPa)	< +/- .004% of span per 1.0 PSIG (7 kPa)
Terminal Based Linearity	< +/- .75% of span	< +/- 1.5% of span typ., +/- 2.0% max
Repeatability:	< .5% of span	< .5% of span
Hysteresis	< 1.0% of span	< .5% of span
Response Time	dependent on pressure range, typically less than .25 sec. for 3 - 15 PSIG units	dependent on pressure range, typically less than .25 sec. for 3 - 15 PSIG units
Flow Rate	4.5 SCFM (7.6 m3/hr ANR) at 25 PSIG (175 kPa) supply 12 SCFM (20 m3/hr ANR) at 100 PSIG (700 kPa) supply	20 SCFM (34 m3/hr ANR) at 150 PSIG (1050 kPa) supply
Relief Capacity	2.0 SCFM (3.4 m3/hr) at 5 PSIG (35 kPa) above set point	2.0 SCFM (3.4 m3/hr) at 5 PSIG (35 kPa)
Maximum Air Consumption	.03 SCFM (.07 m3/hr) typical	.05 SCFM (.14 m3/hr) typical
Media	oil free, clean dry air filtered to 0.3 micron	oil free, clean dry air filtered to 0.3 micron
Temp. Range (operating)	-20° F to 140° F (-30° C to 60° C)	-20° F to 140° F (-30° C to 60° C)

NOTE: This unit, as is, is a Class 1, Division 2 hazardous location item (non-incendive). With the proper barrier it is a Class 1,2,3; Division 1; Groups C,D,E,F,G item (applies only to 4-20 Ma I/P).

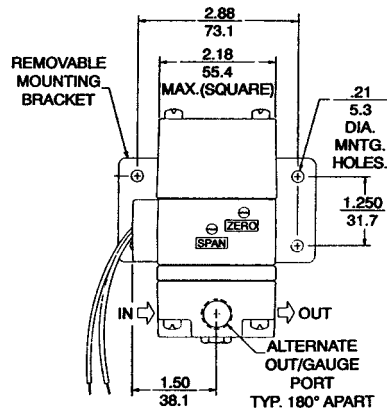
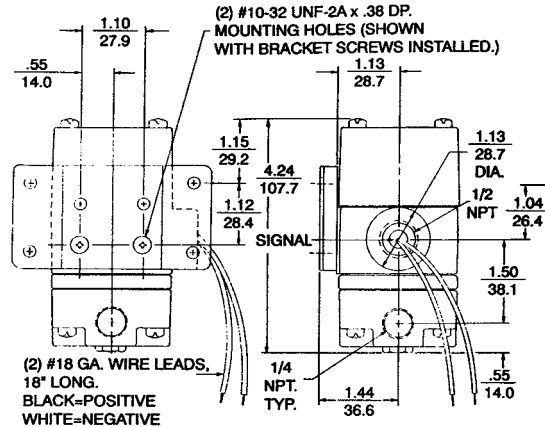
How To Order



Dimensions: Inches (mm)

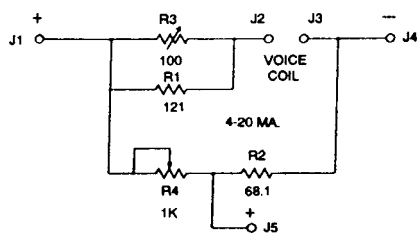


R831-02B pictured



NOTE: Bracket included with each unit.

Electrical Schematic



NOTE: FOR 4-20MA AND 10-MA USE J1 AS POSITIVE INPUT.

R84 Series

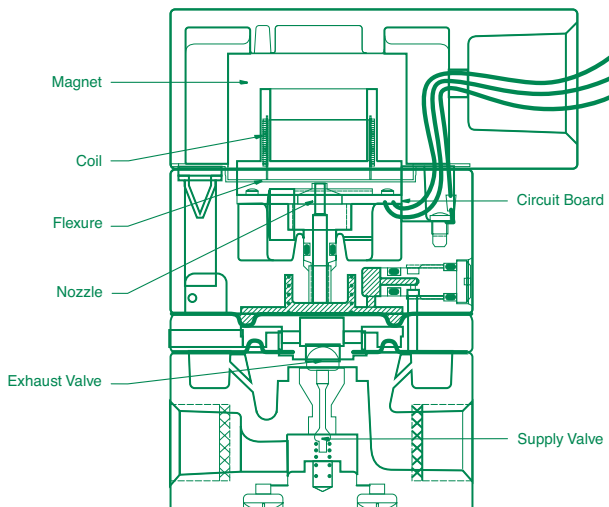
Application

The R84 Series I/P, E/P transducers are compact electronic pressure regulators that convert an electrical signal (current or voltage) to a proportional pneumatic output. Its compact design and flexible porting make it an ideal choice for space-constrained DIN rail or manifold applications. A NEMA-4X housing with RFI/EMI protection will allow it to be used in demanding industrial environments.

The operating principle of the R84 is based on a rugged, field-tested force-balance design. A coil is suspended in a magnetic field by a flexure. Varying the electrical signal through the coil positions the flexure to a nozzle. This creates a back pressure that acts as a pilot to an integral volume booster. This provides a high flow which increases control speed in critical applications.

Features

- Compact size
- NEMA-4X housing
- Low air consumption
- High flow capacity
- Accessible external orifice
- Input and output ports on both front and back
- RFI/EMI protection
- External zero and span adjustments
- Field reversible
- Wall, panel, pipe or DIN rail mounting
- No separate power supply required
- CE Approved



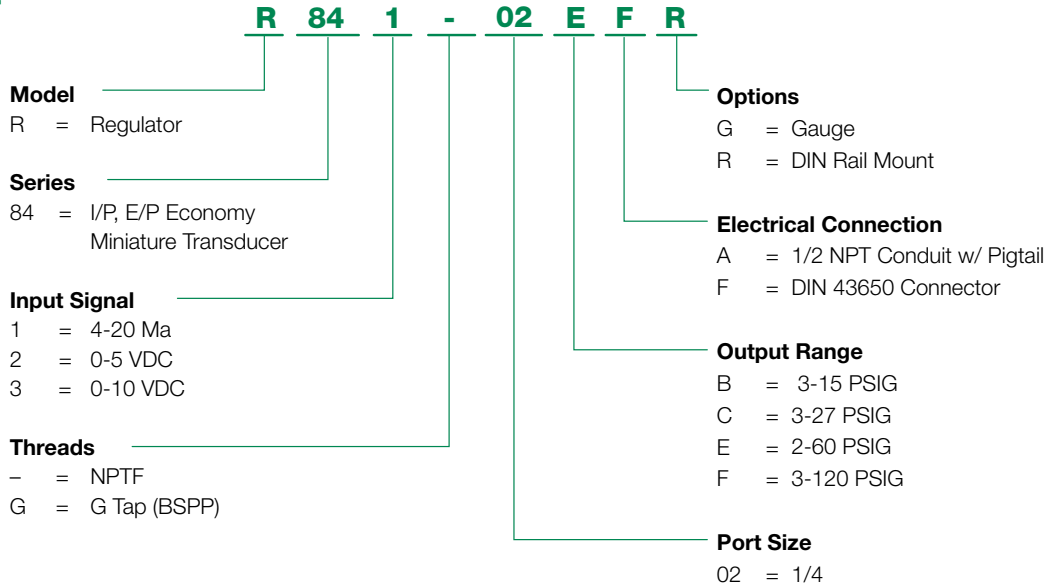
Specifications

	Economy Miniature Electropneumatic Transducer R84 Series
Linearity (independent)	> +/- 0.5% of span
Hysteresis and repeatability	>0.5% of span
Port sizes	Pneumatic = 1/4 Electric = 1/2 NPT
Media	Clean, dry, oil-free, air filtered to 0.3 micron
Mounting	Wall, panel (included), 2" pipe (included) or DIN rail (optional)
Materials	Housing: Chromate treated aluminum with baked paint Elastomers: Buna-N Trim: Stainless Steel, brass, zinc plated steel
Weight	1.3 lbs (.59 KG)
Inputs	4-20 mA, 0-5V DC, 0-10 V DC
Outputs	3-15 psig, 3-27 psig, 2-60 psig, 3-120 psig
Air Consumption	1.8 SCFH (0.05 m3/hr) at mid Range typical
Supply pressure: Note: Supply pressure must be a minimum of 5 psig (0.3 bar) above the maximum output pressure	Outputs up to 30 psi: 100 psig (7 bar) maximum Outputs to 120 psi: 150 psig (10 bar) maximum
Flow Capacity at mid range	4.5 SCFM (7.6 m3/hr) at 25 psig (1.7 Bar) supply 12 SCFM (20 m3/hr) at 100 psig (7 Bar) supply
Relief Capacity	2 SCFM (3.4 m3/hr) at 5 psig (35kPa) above set point
Temperature Range	-20° F to +150° F (-30° C to +65° C)

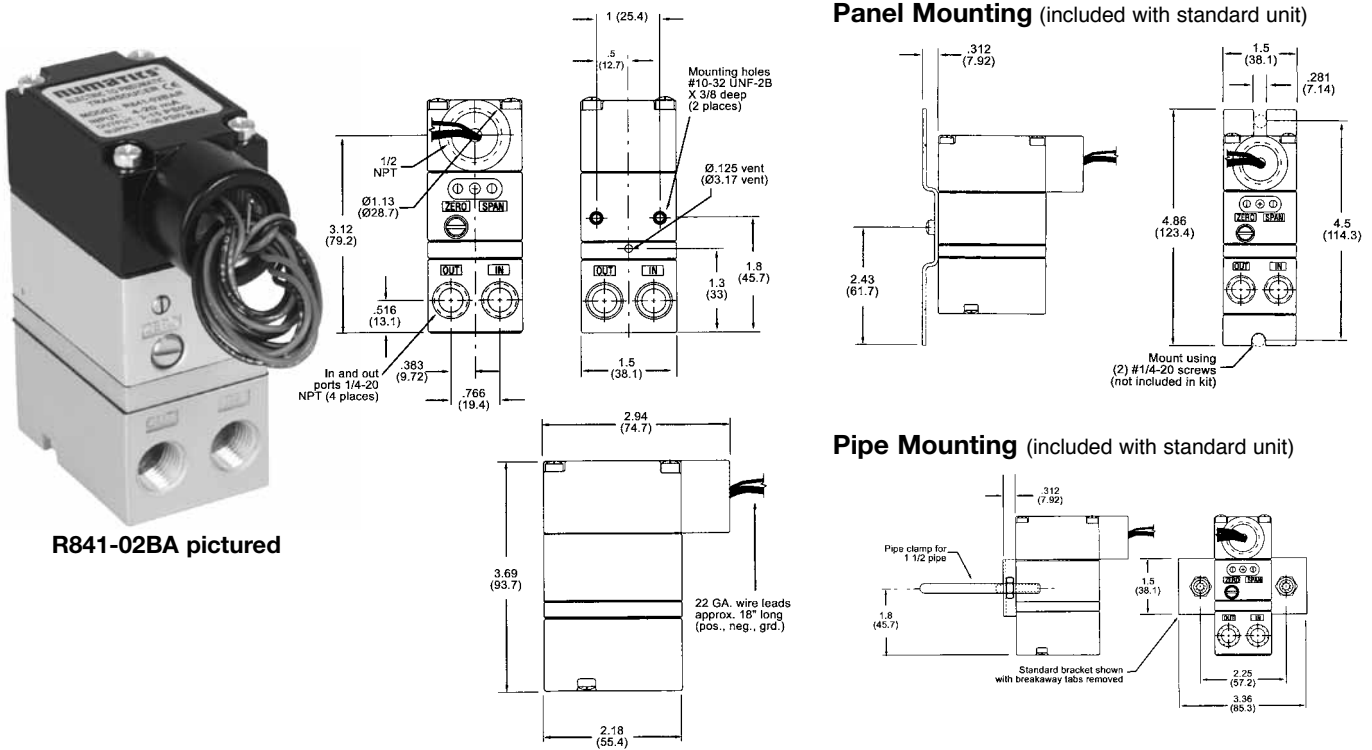
Notes:

Electrical Connections – For both I/P and E/P models, the 1/2" conduit electrical connections are made to the red (+) and black (-) leads. The green lead is used for case ground. For both I/P and E/P models, the 43650 DIN electrical connections are made to terminal 1 (+) and terminal 2 (-). Terminal 3 is not used. Ground is for case ground.

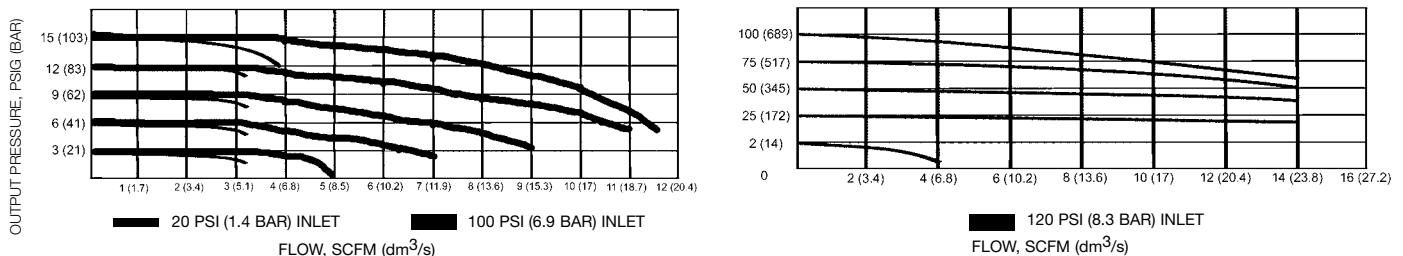
How To Order



Dimensions: Inches (mm)



Flow Ratings



I/P, E/P R85 Series

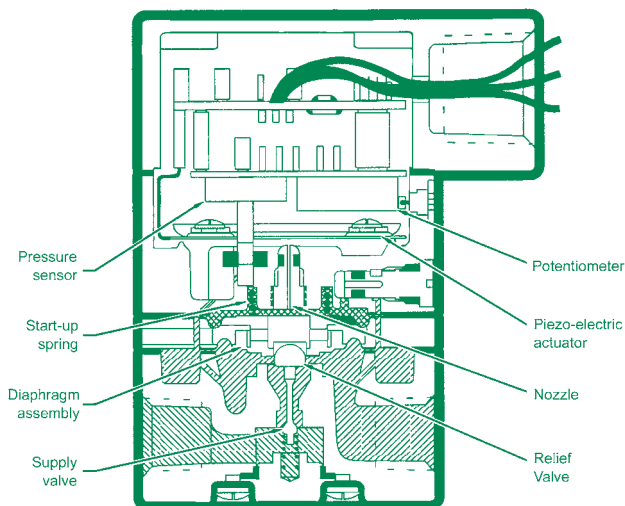
Application

The R85 Series I/P, E/P transducers are a series of compact electronic pressure regulators that convert an electrical signal (current or voltage) to a proportional pneumatic output. Utilizing internal solid-state feedback circuitry, the R85 provides precise, stable pressure outputs to final control elements. Immunity to the effects of vibration or mounting position, high tolerance to impure air, and low air consumption make this unit ideal for use in demanding applications.

The heart of this unique technology is a bimorph piezo actuator that is encapsulated in a protective skin. This protective skin provides defense against the humidity and contaminant often found in process operating environments.

Features

- Reliable in harsh environments
- Low air consumption - 3 SCFH typical
- High accuracy - +/-0.10% of span
- NEMA-4X (IP65) enclosure
- Vibration/position insensitive
- Compact size
- Wall, panel (included), pipe (included), or DIN rail mounting
- Supply pressures up to 100 PSIG
- Built-in volume booster - 10 SCFM flow
- Input/output ports on front and back
- Conduit fitting or DIN connector
- Split range operation
- Field reversible
- CE Approved



Specifications

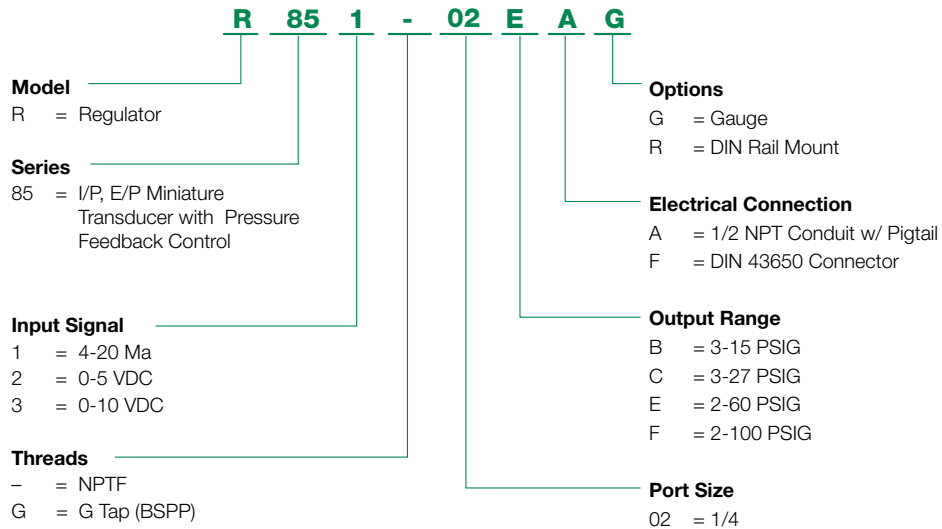
	Miniature Electropneumatic Transducer I/P, E/P R85 Series	
Port sizes	Pneumatic: 1/4 Electric: 1/2 NPT	
Media	Clean, dry, oil-free, air filtered to 0.3 micron	
Mounting	Wall, Panel (included), 2" pipe (included), or DIN rail (optional)	
Materials	Housing: Chromate treated aluminum with baked paint. NEMA-4X (IP65) Elastomers: Buna-N Trim: Stainless steel, brass, zinc plated steel	
Weight:	13.0 oz (0.4 kg)	
Inputs	4-20mA	0-10 VDC 0-5 VDC
Outputs	3-15 PSIG 3-27 PSIG 2-60 PSIG 2-100 PSIG	0.21-1.03 BAR 0.21-1.86 BAR 0.14-4.14 BAR 0.14-6.89 BAR
Air Consumption	1.5 SCFH 0.04 m3/hr at mid range typical	
Supply pressure:	100 PSIG (7.0 BAR) maximum Note: Supply pressure must be at a minimum of 5 PSIG above maximum output	
Flow Capacity at mid range	4.5 SCFM (7.6 m3/hr) at 25 PSIG (1.7 BAR) supply 12 SCFM (20 m3/hr) at 100 PSIG (7 BAR) supply	
Relief Capacity	2.0 SCFM (3.4 m3/hr) at 5 PSIG (35 kPa) above set point	
Temperature limits	Operating: -40° F to +160° F (-40° C to +71° C) Storage: -40° F to +200° F (-40° C to +93° C)	
Loop load, I/P Transducer	7.5 VDC @ 20mA	
Supply Voltage, E/P Transducer	7-30 VDC, less than 3mA	
Signal impedance	7-30 VDC, less than 3mA	

Notes:

Electrical Connections – For both I/P and E/P models, the 1/2" conduit electrical connections are made to the red (+) and black (-) leads. The green lead is used for case ground. For both I/P and E/P models, the 43650 DIN electrical connections are made to terminal 1 (+) and terminal 2 (-). Terminal 3 is not used. Ground is for case ground.

Information subject to change without notice. For ordering information or regarding your local sales office visit www.numatics.com.

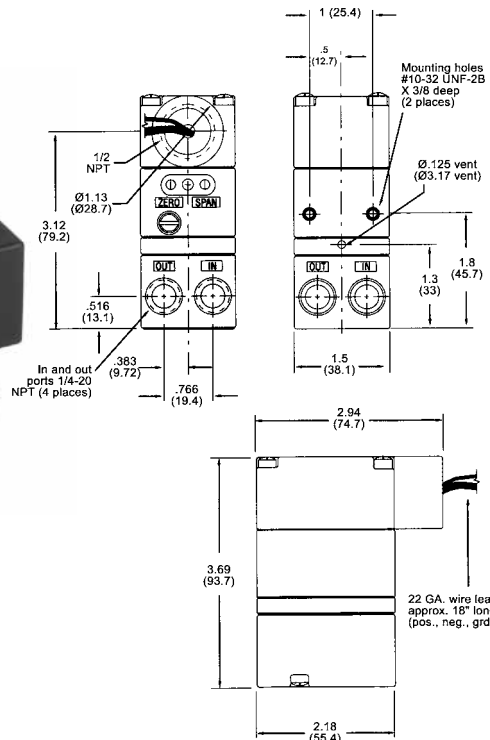
How To Order



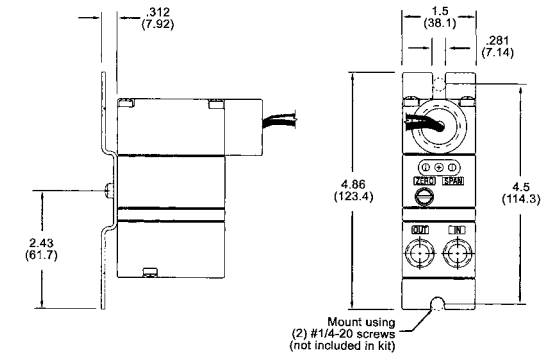
Dimensions: Inches (mm)



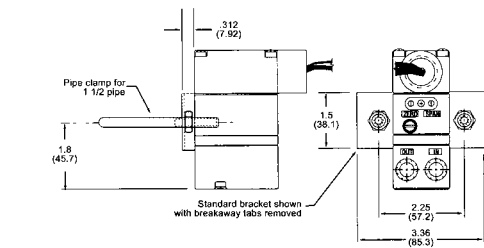
R851-02BF pictured



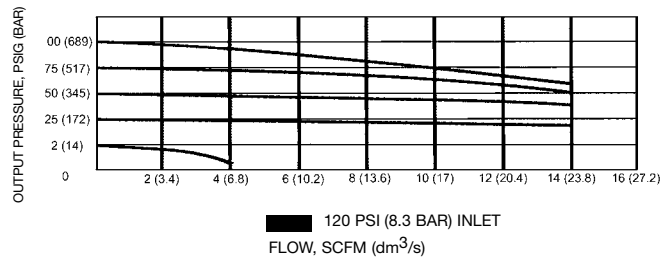
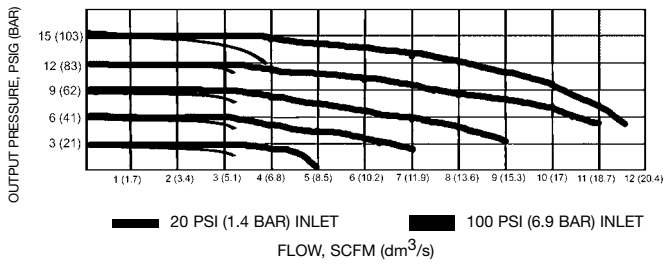
Panel Mounting (included with standard unit)



Pipe Mounting (included with standard unit)



Flow Ratings



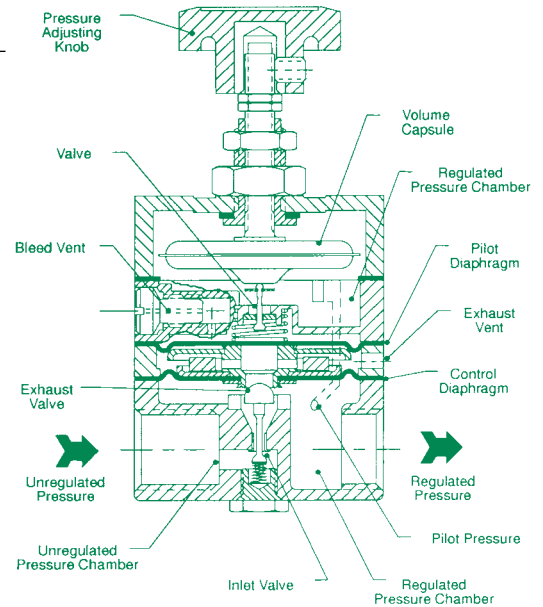
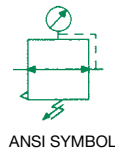
R80/82 Series

Application

The 80 and 82 Series regulators are high-precision, multi-stage pressure regulators. The highest degree of regulation and repeatability are achievable by reacting to downstream pressure fluctuations as small as 0.01 PSIG (.07 kPa). Action occurs as downstream pressure is piloted to the control chamber to act on a finely tuned stainless steel volume capsule. A continuous bleed of less than 0.08 SCFM (.15 m³/hr) adjusts the pilot diaphragm causing appropriate movement of the supply valve or relief valve. Relief flows of up to 10 SCFM can be achieved through the large exhaust port located in the control diaphragm. Exhaust is achieved through the exhaust vents located in the side of the body.

Recommended Uses

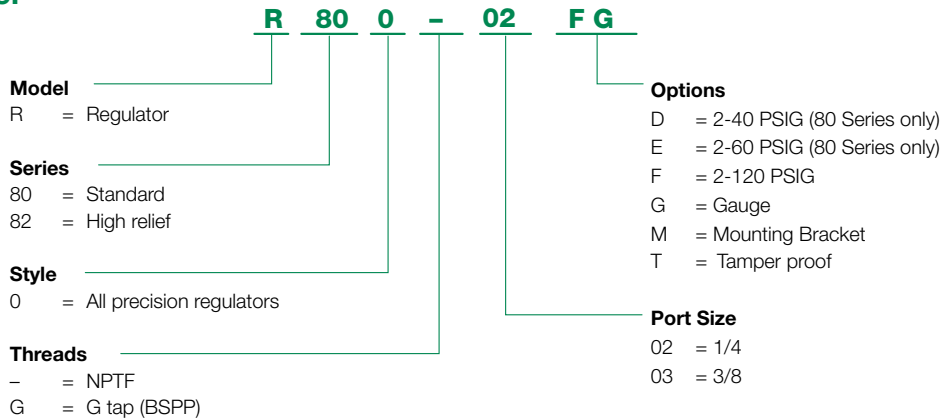
- Air Gauging
- Gas Mixing
- Web Tensioning
- Roll Loading
- Air Hoists



Specifications

	Precision Regulator R80/82 Series
Flow Capacity	14 SCFM (25m3/hr)
Exhaust Capacity	Model 80 - 2 to 3 SCFM (3.4 m3/hr) Model 82 - 10 to 11 SCFM (17.0 m3/hr)
Sensitivity	.125 inches (3.2 mm) water
Pilot Bleed Rate	.08 SCFM (.15 m3/hr)
Supply Pressure Variation	Less than .005 PSI (.03 kPa)@25 PSI variance
Maximum Supply Pressure	150 PSIG (1050 kPa)
Temperature Range	0° F to + 150° F (-18° C to +65° C)
Weight	1.4 lbs (.64 kg)
Materials	Body: Die Cast Zinc Diaphragms: Buna - N Knob: Phenolic Plastic

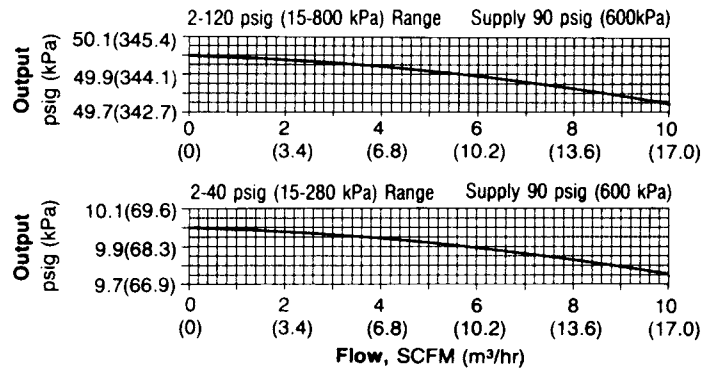
How To Order



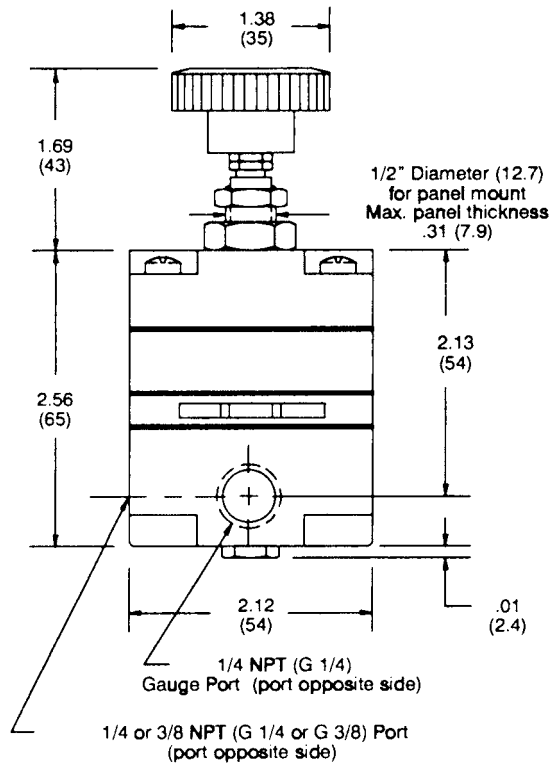
Flow Ratings (based on 100 PSIG inlet)



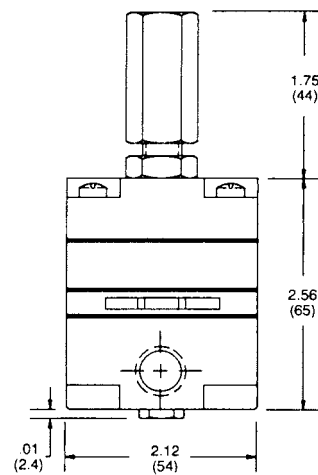
R800-02D pictured



Dimensions: Inches (mm)



Tamperproof Model



R88 Series

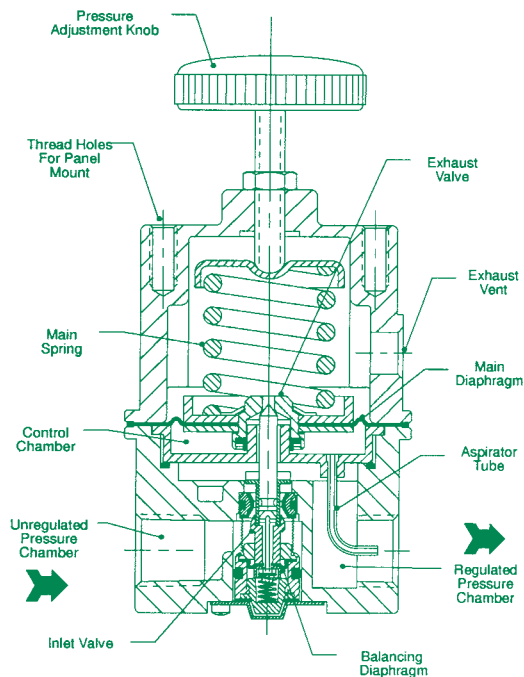
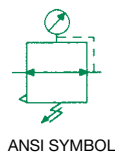
Application

The 880 Series pressure control regulator is designed for high flow and accurate pressure control utilizing a rolling diaphragm to insure a constant output pressure. The 88 model maintains stability even with wide supply pressure variations.

The 881 Series back pressure regulator is a high flow, highly accurate pneumatic relief valve with an adjustable set point. Its primary function is to provide protection against over pressurization in the downstream portion of a pneumatic system. This precision unit is capable of handling flows up to 50 SCFM. A rolling diaphragm provides the sensitivity that causes the unit to vent to atmosphere in response to the slightest upstream changes.

Recommended Uses

- Test Equipment
- Roll Loading
- Web Tensioning
- Actuators
- Gas Mixing
- Test Panels
- Clutch and Brake Controls



R880 Pictured Above (NOT R881)

Specifications

	High Flow Precision Regulator R88 Series
Flow Capacity	see flow characteristics (next page)
Exhaust Capacity	4 SCFM (6.7 m3/hr)
Sensitivity	.25 inches (6.33 mm) of water
Total Air Consumption	1.0 to 12.5 SCFH (.03 to .37 m3/hr), depending on output pressure
Supply Pressure Variation	.1 PSI (.7 kPa) @ 100 PSI (700 kPa) change
Maximum Supply Pressure	250 PSIG (1750 kPa)
Temperature Range	-40° F to +160° F (-40° C to 71° C)
Weight	1.6 lbs (.74 kg)
Materials	Body: Die Cast Zinc Diaphragms: Buna - N Volume Capsule: Stainless Steel Knob: Phenolic Plastic

How To Order

R 88 0 - 02 FG

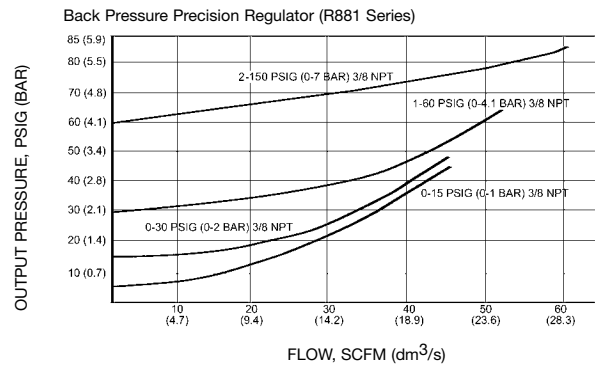
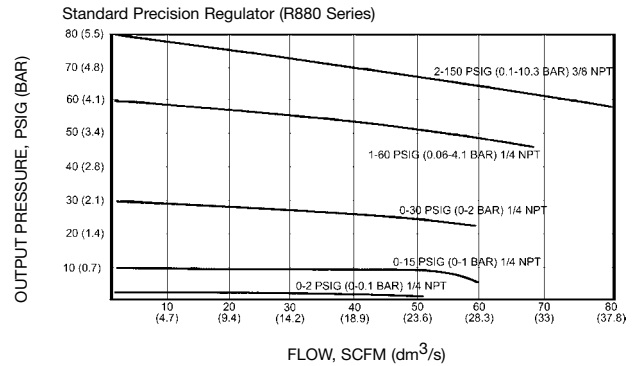
<p>Model</p> <p>R = Regulator</p> <p>Series</p> <p>88 = High Flow Precision</p> <p>Style</p> <p>0 = Standard High Flow Precision Regulator</p> <p>1 = Back Pressure Precision Regulator</p> <p>Threads</p> <p>- = NPTF (Style 880 and 881)</p> <p>G = G tap (BSPP) {Style 880 Only}</p>	<p>Options</p> <p>A = 0-2 PSIG (R880 only)</p> <p>B = 0-15 PSIG</p> <p>C = 0-30 PSIG</p> <p>E = 1-60 PSIG</p> <p>F = 2-150 PSIG</p> <p>G = Gauge</p> <p>M = Mounting Bracket</p> <p>T = Tamper proof</p> <p>Port Size</p> <p>02 = 1/4</p> <p>03 = 3/8</p> <p>04 = 1/2</p>
---	---

Note: R881 Series available in NPT only

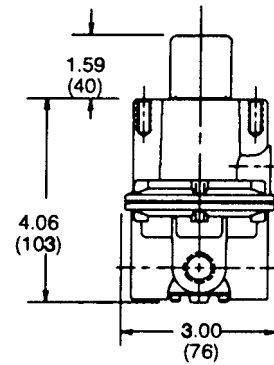
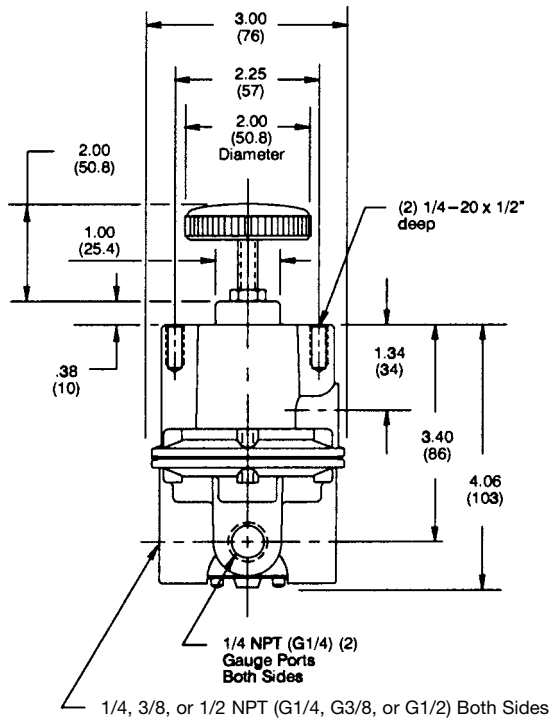
Flow Ratings (based on 100 PSIG inlet)



R880-02A pictured



Dimensions: Inches (mm)



R87 Series

Applications

The 87 Series Volume Boosters are used extensively for increased flow capacity, pressure amplification, or remote pressure control applications. This includes web tensioning, roll loading, control valve actuators, I/P volume boosting, cylinder actuation, clutch and brake control, and gas flow control.

Features

- High flow capacity - allows flows up to 50 SCFM
- Amplified output - available in a signal to output pressure ratio of 1:6
- High exhaust capacity - large relief provides 15 SCFM flow capacity
- Stable output - Venturi aspirator maintains output pressure under varying flow conditions
- Balanced supply valve - rolling diaphragm design makes unit immune to supply pressure variation
- Negative bias - 4 PSI negative bias option allows “zero” of I/Ps

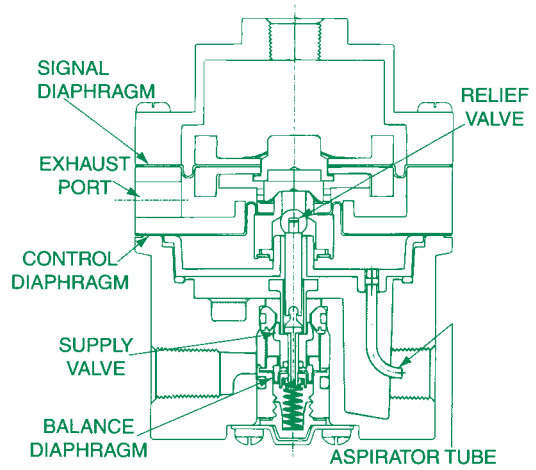
Optional Fixed Negative Bias

The 87 Series Volume Booster is available with an optional 4±1 PSIG (30±7 kPa) less than the signal pressure (Z option).

This option allows zero output when utilizing I/P transducers that typically are only capable of providing pressures down to 3 PSI. Note that the negative bias has a tolerance of ±1 PSI. This means that actual bias will range from -3 PSI to -5 PSI. Use the zero adjustment of the I/P to reach desired setting.

Mounting Bracket

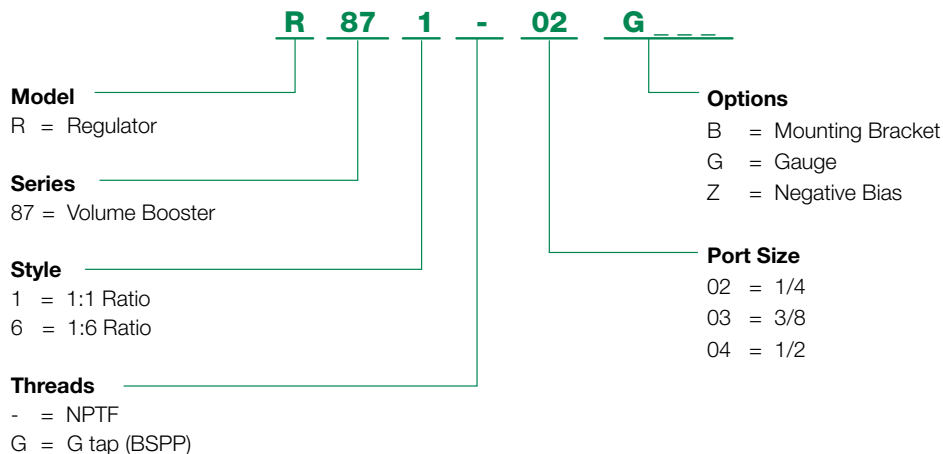
The mounting bracket for the R87 Series Ratio Relay Volume Booster, part number PK88, is included.



Specifications

	1:1 Ratio	1:6 Ratio
Flow capacity, SCFM (m3/hr) 100 PSIG (700 kPa) supply, 20 PSIG (140 kPa) output	50 (76.5)	50 (76.5)
Exhaust capacity, SCFM (m3/hr) Downstream 5 PSIG (35 kPa) above set pressure	15 (25.5)	7.5 (12.8)
Sensitivity, inches water (cm)	.25 (.64)	1.5 (3.8)
Ratio accuracy (%) of output span with 3-15 PSIG (20-105 kPa) signal	1.0	2.0
Zero error (%) - % of output span with 3-15 PSIG (21-105 kPa) signal	2.0	3.0
Effect of supply pressure change of 50 PSIG (350 kPa)	.1 PSI	.6 PSI
Maximum supply pressure, PSIG (kPa)	250 (1750)	250 (1750)
Maximum signal pressure, PSIG (kPa)	150 (1034)	25 (172)
Maximum Air Consumption	.03 SCFM (.07 m3/hr) typical	.05 SCFM (.14 m3/hr) typical
Ambient temperature limits, °F (°C)	-40° to 160° (-40° to 71°)	-40° to 160° (-40° to 71°)
Weight, lbs (gm)	1.4 (635)	1.4 (635)

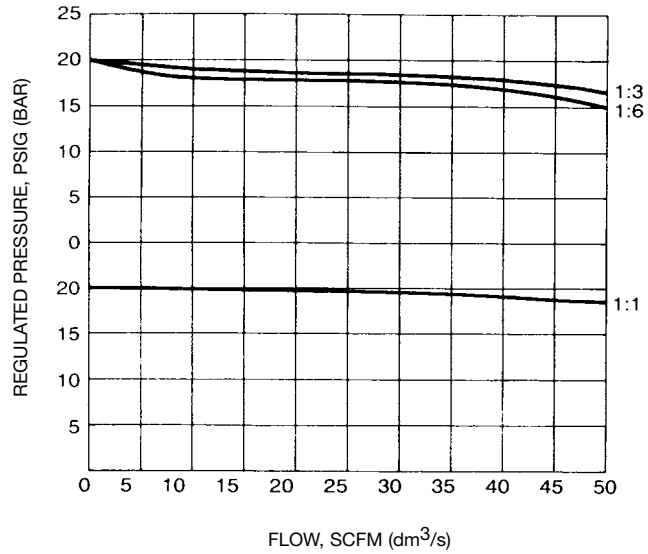
How To Order



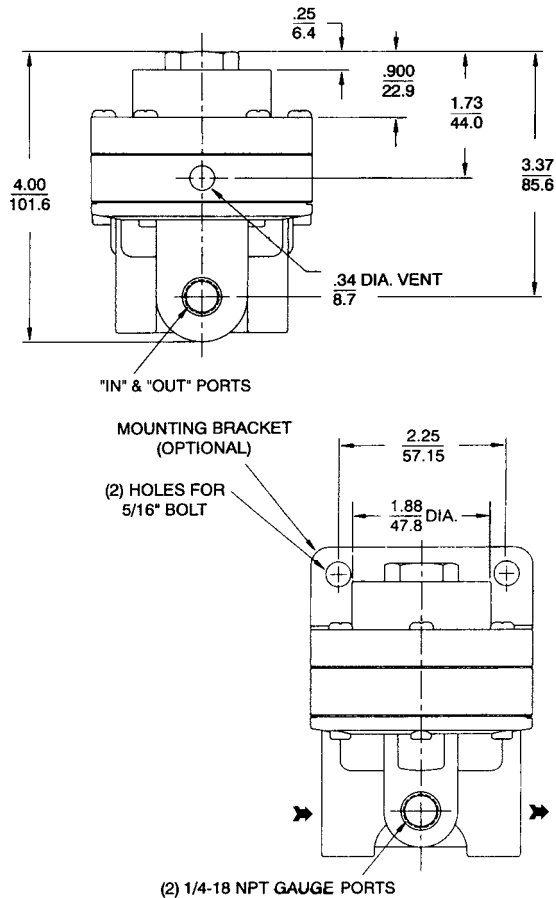
Flow Ratings



R871-02 pictured



Dimensions: Inches (mm)



R89 Series

Application

The Instrument Air Regulator is designed to provide clean, accurate air pressure to instruments, valves, and other automatic control equipment. It is used extensively to supply air to pneumatic controllers, transmitters, transducers, valve positioners, air cylinders, and a wide range of pneumatic control systems.

Features

- Stable output and repeatability
- Corrosion-resistant construction
- 5 micron depth filter
- Self-relieving
- Low droop at high flow levels
- Tight shut off

Materials of Construction

Body: die cast aluminum alloy, iridite, baked epoxy finish

Filter: 5 micron phenolic impregnated cellulose

Diaphragms: nitrile elastomer and nylon fabric

Valve Seat Plug: nitrile elastomer

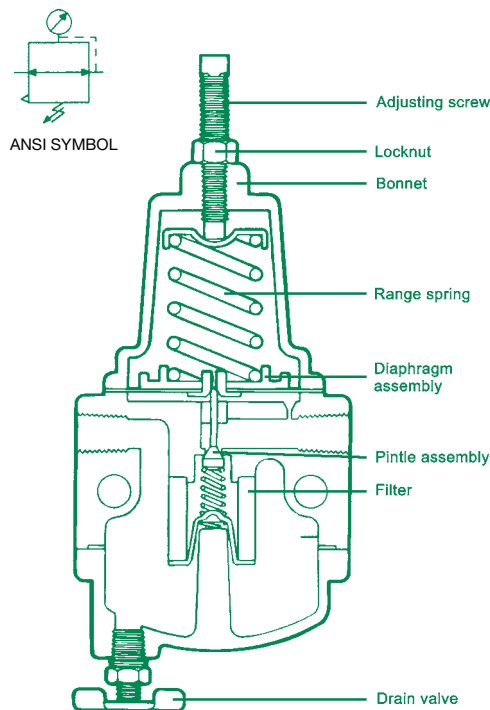
Additional Materials: brass, zinc, plated steel, acetal

Mounting Bracket

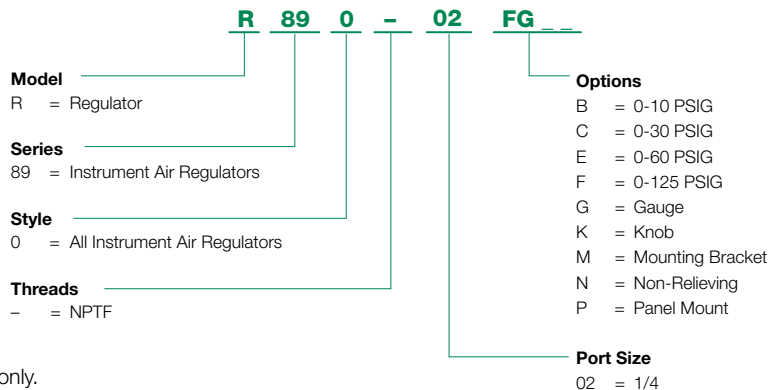
The mounting bracket for the R89 Series Instrument Air Regulator, part number PK89, is available and sold separately.

Specifications

	Instrument Air Regulator R89 Series
Port Size	1/4 NPT
Standard Output Pressure	0 - 120 PSIG (0 - 800 kPa)
Maximum Supply Pressure	250 PSIG (1700 kPa)
Mounting	pipe or integral mounting
Flow Capacity	see flow characteristics (next page)
Exhaust Capacity	.1 SCFM (.17 m3/hr) @ 5 PSIG (35 kPa) above set point
Sensitivity	1" (2.5 cm) of water
Air Consumption	less than 5 SCFH (.17 m3/hr)
Effect of Supply Pressure Variation:	less than .2 PSIG (1.4 kPa) @ 25 PSI (170 kPa) change
Weight	1.6 lbs (.74 kg)



How To Order

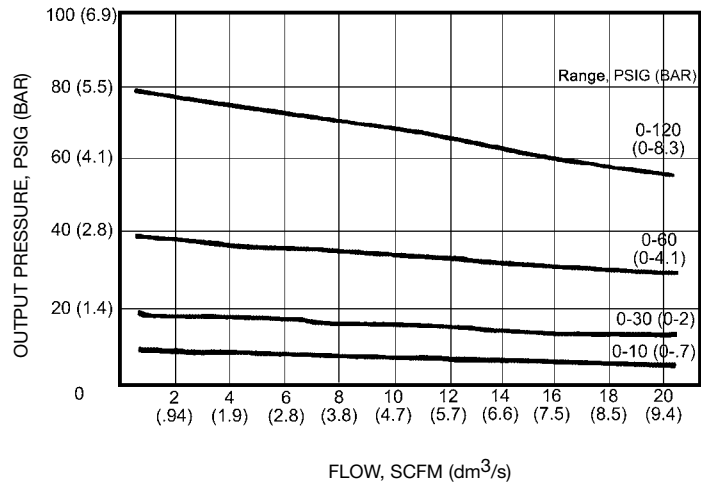


Note: R89 Series available in NPT only.

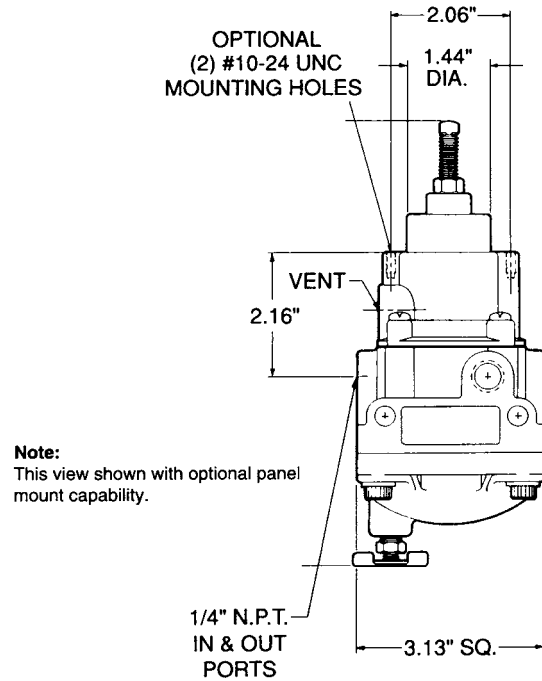
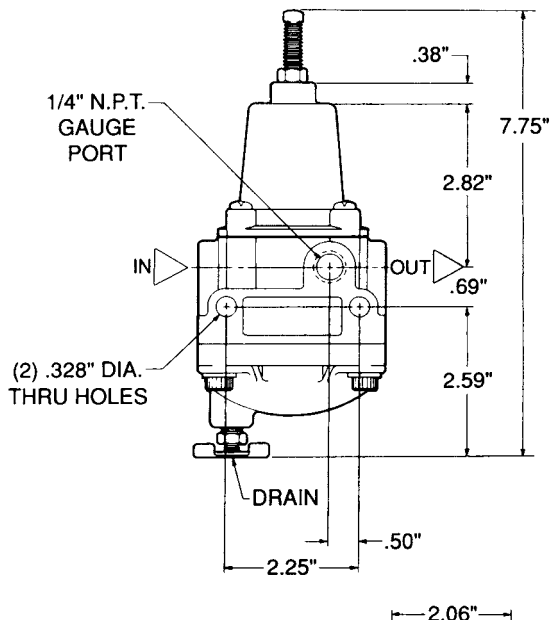
Flow Ratings (based on 100 PSIG inlet)



R890-02B pictured



Dimensions: Inches (mm)



Precision Regulators

Precision Regulator Repair Kits	
Kit #	Description
RKR800D	for 2-40 pressure range models
RKR800E	for 2-60 pressure range models
RKR800F	for 2-120 pressure range models
RKR820F	for 2-120 pressure range models

Replacement Adjustment Knob Kits	
Kit #	Description
RP8002	for R800 and R820 models

Electropneumatic Transducers

Electropneumatic Transducer Repair Kits	
Kit #	Description
RKR831BC	for 3-15 and 3-27 pressure range models
RKR831EF	for 2-60 and 3-120 pressure range models

High Flow Precision Regulators

Regulator Repair Kits	
Kit #	Description
RKR880A	for 0-2 pressure range models
RKR880B	for 0-15 pressure range models
RKR880C	for 0-30 pressure range models
RKR880E	for 1-60 pressure range models
RKR880F	for 2-150 pressure range models
RKR881	for back pressure regulator

Replacement Adjustment Knob Kits	
Kit #	Description
RP81	for R880 models

Mounting Brackets

High Flow Precision Regulator	
Kit #	Description
PK80	80 & 82 Series Bracket
PK88	87 & 82 Series Bracket
PK89	89 Series Bracket

Instrument Air Regulators

Instrument Air Regulator Repair Kits	
Kit #	Description
RKR89	for all models



World Class Supplier of Pneumatic Components



World Headquarters

USA Numatics, Incorporated

46280 Dylan Drive
Novi, Michigan 48377

P: 248-596-3200
F: 248-596-3201

Canada Numatics, Ltd

P: 519-758-2700
F: 519-758-5540

México - Ascomatica SA de CV

P: 52 55 58 09 56 40 (DF y Area metropolitana)
P: 01 800 000 ASCO (2726) (Interior de la República)
F: 52 55 58 09 56 60

Brazil Ascoval Ind.e Comercio Ltda

P: (55) 11-4208-1700
F: (55) 11-4195-3970