

NUMATICS®

B Square Series

Compact, Flat-square Cylinder Line



www.numatics.com

B Square Series

Features and Benefits	3
How to Order	4
Basic Cylinder Models	5-8
Length Adders/Weights	9
Accessories	10-11
Global Switch Information	12
9000 Series Switch Information	12-13

The **B Square Series** is an extremely efficient and lightweight compact, square end cap cylinder line. It is designed for maximizing space without sacrificing quality. Our square end cap design provides flexibility for either flush-face or horizontal (side) mounting. The B Square Series also significantly reduces the centerline distance when cylinders are mounted side-by-side.

Tube

The type 304 stainless steel **tube** is drawn and polished to a micro-inch finish on the inner diameter. This ensures low friction and longevity.

End Caps

The **end caps** are accurately machined from aluminum alloy. They are anodized for corrosion resistance. Additionally, a recess on the piston-mating surface (at both ends) enables the air to work on a larger piston area for effortless breakaway.

Rod Bushing

The B Square Series includes split style bronze **rod bushing** for maximum load bearing support.

Rod Seal

The quad type **rod seal** is used for double sealing efficiency.

Piston Rod

High strength steel **piston rod** is roller burnished for long, trouble free life.

Piston Seal

The Buna-N O-ring **piston seal** ensures proper sealing even at low pressures.

Piston

The solid aluminum alloy **piston** is strong and durable.

Tie Rods

The stainless steel **tie rods** provide high strength and corrosion resistance.

Tube End Seal

The **tube end seals** are compression type and reusable.



Standard Specifications:

- Variety of mounts
- Bore sizes from 3/4" through 4"
- Piston rod diameters from 5/16" to 1"
- Maximum pressure rating is 150 psi air
- Standard temperature -10°F to 165°F (-23°C to 74°C)

How to Order

X Z B C - 02 A 3 A - A AA 0

Mounting

- P = Pivot Mount
- R = Pivot Mount Rotated 90 Deg.
- X = Basic Mount

Type

- Z = Double Acting
- Y = Reverse Acting (Spring Extend)
- X = Single Acting (Spring Return)
- W = Double Acting Double Rod

Series

- B = B Square Series

Bore

- C = 3/4"
- E = 1-1/16"
- K = 1-1/2"
- L = 2"
- M = 2-1/2"
- N = 3"
- R = 4"

Full Inch of Stroke

- 00 = 0" Stroke
 - 01 = 1" Stroke
 - 02 = 2" Stroke
 - 03 = 3" Stroke
 - 04 = 4" Stroke
- Consult factory for strokes greater than 4".

Full Inch of Stroke

- | | |
|-----------|------------|
| A = 0" | I = 1/2" |
| B = 1/16" | J = 9/16" |
| C = 1/8" | K = 5/8" |
| D = 3/16" | L = 11/16" |
| E = 1/4" | M = 3/4" |
| F = 5/16" | N = 13/16" |
| G = 3/8" | O = 7/8" |
| H = 7/16" | P = 15/16" |

Magnet Piston

- 0 = No Magnet
 - 2* = Magnet
- * Affects cylinder OAL. See overall length adder chart online at www.Numatics.com

Options

- AA = No Option
 - DH = Double Hollow Rod
 - LB* = Low Breakaway Piston
 - FS = Fail Safe
 - LT = Low Temperature Seals
 - VA = FKM Seals
 - WA* = Wear Band
 - WI = Rod Wiper
 - 1A** = Rod Extension
 - 2A** = Thread Extension (Male Threads)
 - 3A = Studded Rod End
- * Affects cylinder OAL. See overall length adder chart
** Specify Length.

Cushions

- A = N/A

Ports

- A = 10-32 Port for 3/4" Bore
- B = 1/8" NPTF for 1-1/16" to 2" Bore
- C = 1/4" NPTF for 2-1/2" to 3" Bore
- D = 3/8" NPTF for 4" Bore

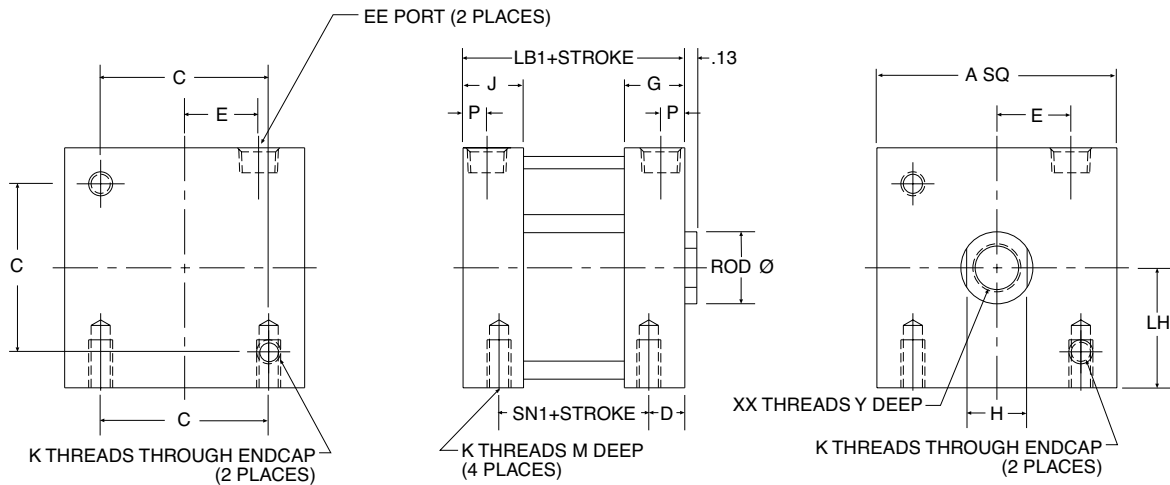
Rod End Codes

- 1 = Male Fine Thread
 - 2* = Non-Threaded Rod
 - 3 = Female Fine Thread
 - 6 = Male Coarse Thread
 - 8 = Female Coarse Thread
- * Same length as female rod.

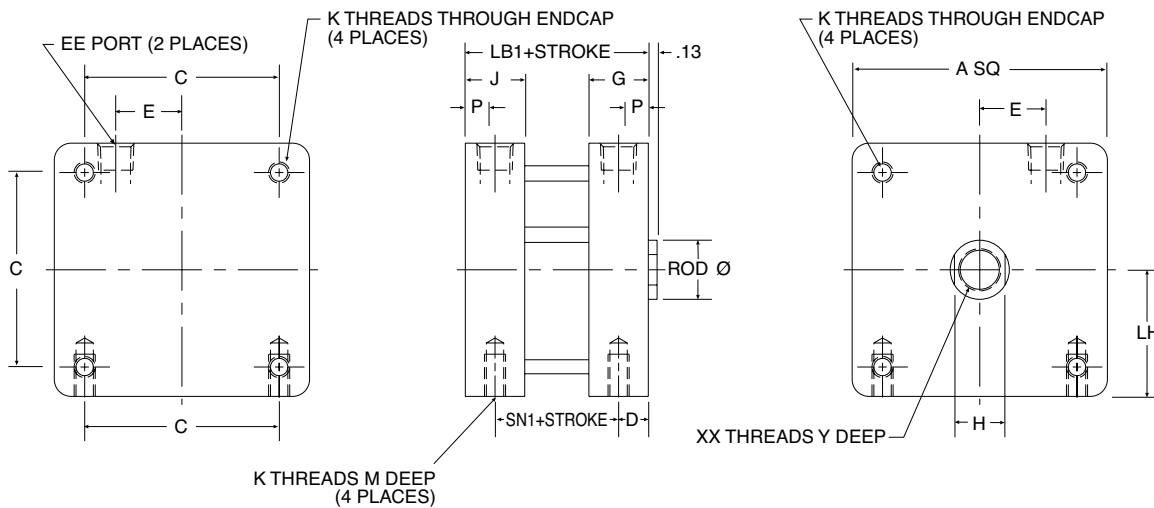
Dimensions: Inches

Basic Cylinder Models

Double Acting, Single Rod, 3/4" to 2" Bore



Double Acting, Single Rod, 2-1/2" to 4" Bore

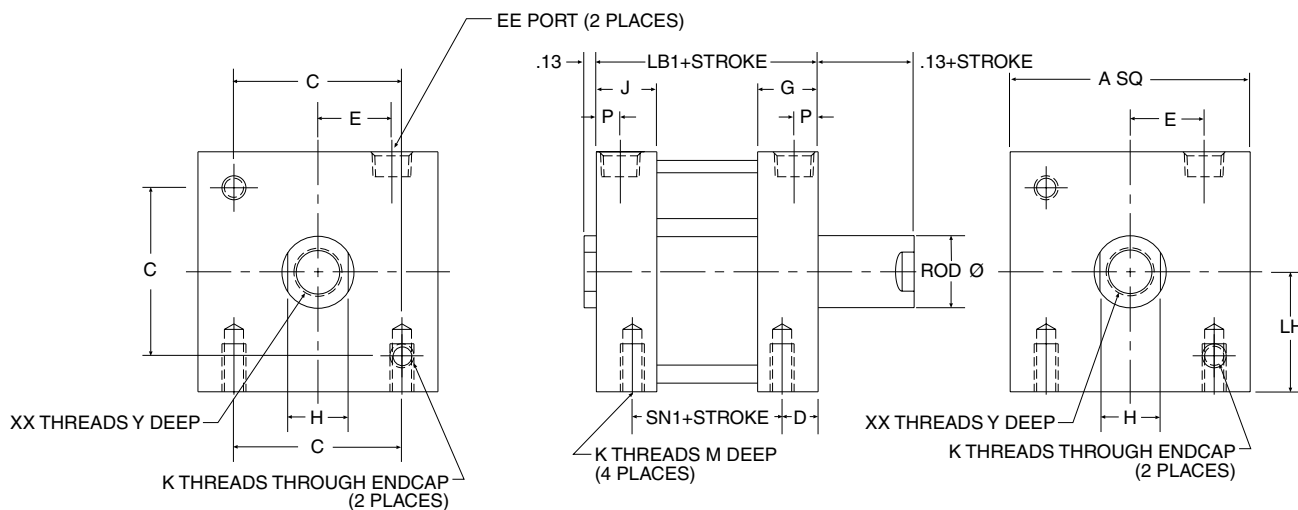


Bore	RodØ	A	C	D	E	EE	G	H	J	K	LB1	LH	M	P	SN1	XX (Fine)	XX (Coarse)	Y
0.750	0.313	1.25	0.75	0.28	0.30	10-32	0.42	0.25	0.42	6-32	0.75	0.625	0.25	0.14	0.19	10-32	10-24	0.46
1.063	0.500	1.50	1.00	0.38	0.50	1/8	0.58	0.44	0.50	8-32	1.25	0.750	0.25	0.25	0.49	5/16-24	5/16-18	0.70
1.500	0.625	2.00	1.38	0.31	0.65	1/8	0.58	0.50	0.50	10-24	1.25	1.00	0.35	0.25	0.63	3/8-24	3/8-16	0.70
2.000	0.750	2.50	1.75	0.38	0.77	1/8	0.63	0.63	0.63	1/4-20	1.31	1.25	0.38	0.25	0.55	1/2-20	1/2-13	0.70
2.500	0.750	3.25	2.38	0.42	0.78	1/4	0.84	0.63	0.84	5/16-18	1.66	1.625	0.52	0.42	0.82	1/2-20	1/2-13	0.70
3.000	0.875	3.75	2.88	0.44	0.95	1/4	0.88	0.75	0.88	5/16-18	1.71	1.875	0.52	0.44	0.83	5/8-18	5/8-11	0.73
4.000	1.000	5.00	3.63	0.50	1.25	3/8	1.00	0.88	1.00	7/16-14	2.00	2.50	0.79	0.50	1.00	3/4-16	3/4-10	0.83

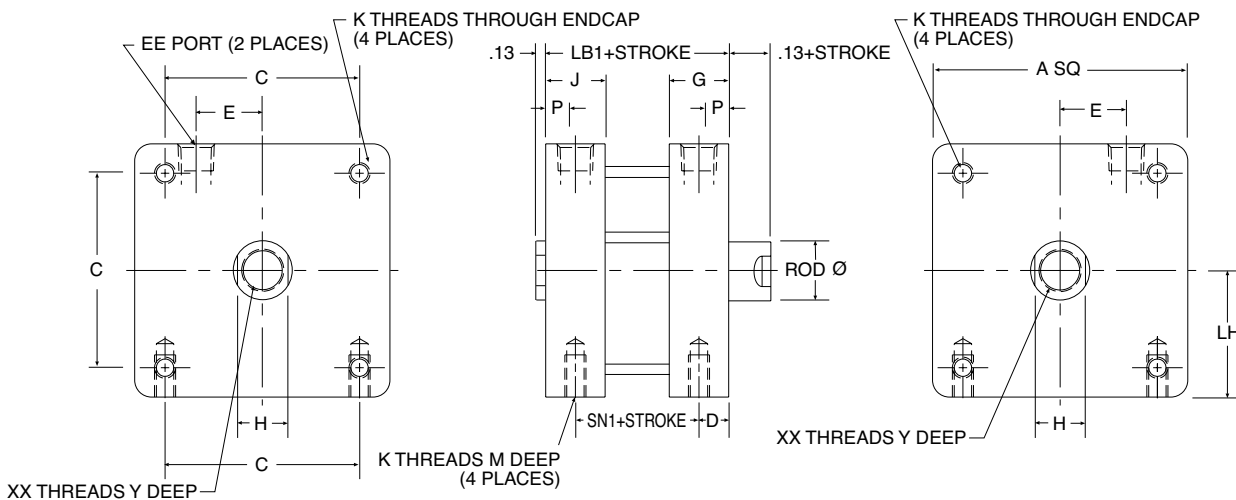
Dimensions: Inches

Basic Cylinder Models (continued)

Double Acting, Double Rod, 3/4" to 2" Bore



Double Acting, Double Rod, 2-1/2" to 4" Bore

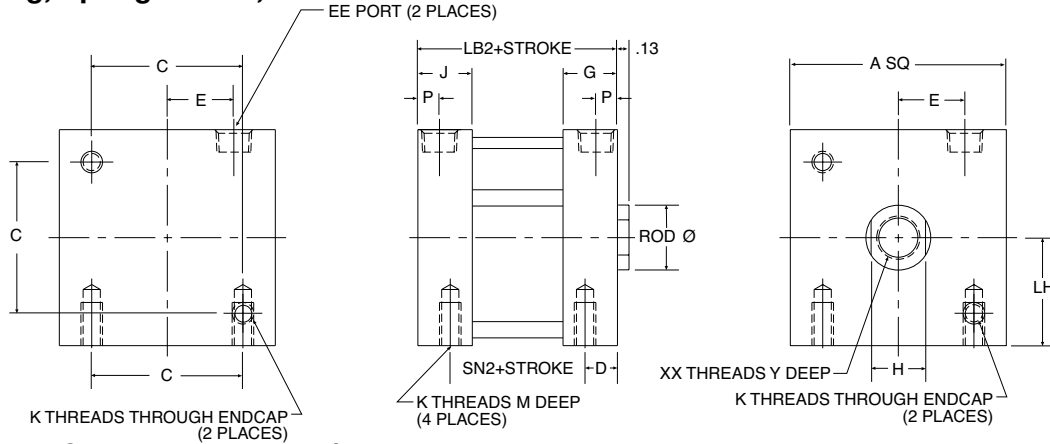


Bore	RodØ	A	C	D	E	EE	G	H	J	K	LB1	LH	M	P	SN1	XX (Fine)	XX (Coarse)	Y
0.750	0.313	1.25	0.75	0.28	0.30	10-32	0.42	0.25	0.42	6-32	0.75	0.625	0.25	0.14	0.19	10-32	10-24	0.46
1.063	0.500	1.50	1.00	0.38	0.50	1/8	0.58	0.44	0.50	8-32	1.25	0.750	0.25	0.25	0.49	5/16-24	5/16-18	0.70
1.500	0.625	2.00	1.38	0.31	0.65	1/8	0.58	0.50	0.50	10-24	1.25	1.00	0.35	0.25	0.63	3/8-24	3/8-16	0.70
2.000	0.750	2.50	1.75	0.38	0.77	1/8	0.63	0.63	0.63	1/4-20	1.31	1.25	0.38	0.25	0.55	1/2-20	1/2-13	0.70
2.500	0.750	3.25	2.38	0.42	0.78	1/4	0.84	0.63	0.84	5/16-18	1.66	1.625	0.52	0.42	0.82	1/2-20	1/2-13	0.70
3.000	0.875	3.75	2.88	0.44	0.95	1/4	0.88	0.75	0.88	5/16-18	1.71	1.875	0.52	0.44	0.83	5/8-18	5/8-11	0.73
4.000	1.000	5.00	3.63	0.50	1.25	3/8	1.00	0.88	1.00	7/16-14	2.00	2.50	0.79	0.50	1.00	3/4-16	3/4-10	0.83

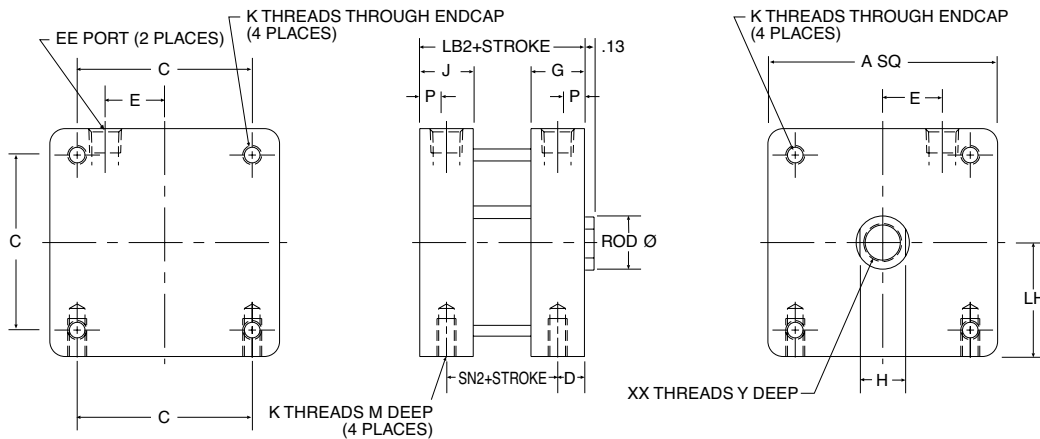
Dimensions: Inches

Basic Cylinder Models (continued)

Single Acting, Spring Return, 3/4" to 2" Bore



Single Acting, Spring Return, 2-1/2" to 4" Bore



Spring Data

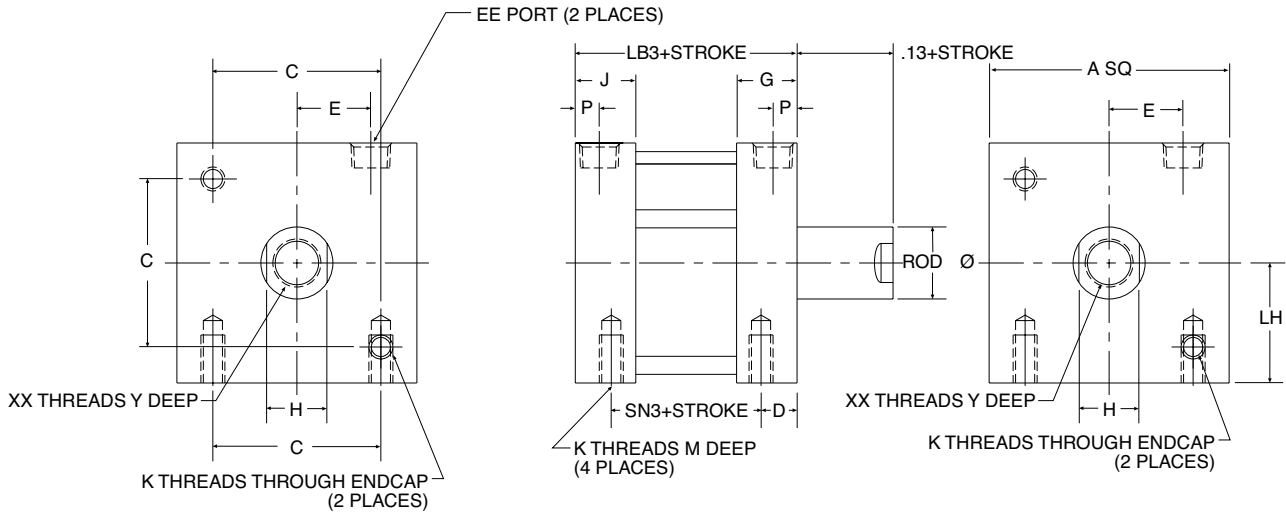
Bore	Max Force (lbf)	Spring Rate	
		0.13"-1" Stroke (lbf/in)	0.13"-2" Stroke (lbf/in)
3/4"	10.0	6.00	2.50
1-1/16"	11.5	6.00	2.50
1-1/2"	13.0	5.50	2.25
2"	13.0	5.50	2.25
2-1/2"	25.0	6.75	2.75
3"	25.0	6.75	2.75
4"	25.0	6.75	2.75

Bore	RodØ	A	C	D	E	EE	G	H	J	K	LB2		LH	M	P	SN2		XX (Fine)	XX (Coarse)	Y
											0.13"-1"	1.13"-2"				0.13"-1"	1.13"-2"			
											Stroke	Stroke				Stroke	Stroke			
0.750	0.313	1.25	0.75	0.28	0.30	10-32	0.42	0.25	0.42	6-32	1.00	1.56	0.625	0.25	0.14	0.44	1.00	10-32	10-24	0.46
1.063	0.500	1.50	1.00	0.38	0.50	1/8	0.58	0.44	0.50	8-32	1.25	1.88	0.750	0.25	0.25	0.49	1.12	5/16-24	5/16-18	0.70
1.500	0.625	2.00	1.38	0.31	0.65	1/8	0.58	0.50	0.50	10-24	1.25	1.88	1.00	0.35	0.25	0.63	1.26	3/8-24	3/8-16	0.70
2.000	0.750	2.50	1.75	0.38	0.77	1/8	0.63	0.63	0.63	1/4-20	1.31	1.94	1.25	0.38	0.25	0.55	1.18	1/2-20	1/2-13	0.70
2.500	0.750	3.28	2.38	0.42	0.78	1/4	0.84	0.63	0.84	5/16-18	1.66	2.54	1.625	0.52	0.42	0.82	1.70	1/2-20	1/2-13	0.70
3.000	0.875	3.78	2.88	0.44	0.95	1/4	0.88	0.75	0.88	5/16-18	1.71	2.58	1.875	0.52	0.44	0.83	1.70	5/8-18	5/8-11	0.73
4.000	1.000	5.04	3.63	0.50	1.25	3/8	1.00	0.88	1.00	7/16-14	2.00	2.88	2.50	0.79	0.50	1.00	1.88	3/4-16	3/4-10	0.83

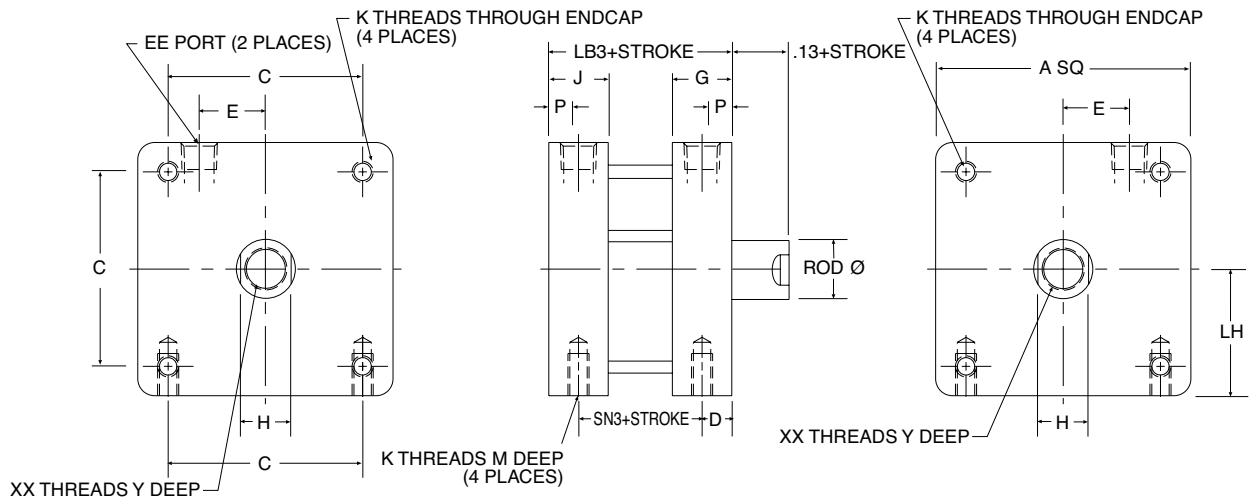
Dimensions: Inches

Basic Cylinder Models (continued)

Reverse Acting, Spring Extend 3/4" to 2" Bore



Reverse Acting, Spring Extend 2-1/2" to 4" Bore



Bore	RodØ	A	C	D	E	EE	G	H	J	K	LB3		LH	M	P	SN3		XX (Fine)	XX (Coarse)	Y
											0.13"-1"	1.13"-2"				0.13"-1"	1.13"-2"			
											Stroke	Stroke				Stroke	Stroke			
0.750	0.313	1.25	0.75	0.28	0.30	10-32	0.42	0.25	0.42	6-32	1.25	1.81	0.625	0.25	0.14	0.69	1.25	10-32	10-24	0.46
1.063	0.500	1.50	1.00	0.38	0.50	1/8	0.58	0.44	0.50	8-32	1.75	2.38	0.750	0.25	0.25	1.00	1.63	5/16-24	5/16-18	0.70
1.500	0.625	2.00	1.38	0.31	0.65	1/8	0.58	0.50	0.50	10-24	1.75	2.38	1.00	0.35	0.25	1.13	1.76	3/8-24	3/8-16	0.70
2.000	0.750	2.50	1.75	0.38	0.77	1/8	0.63	0.63	0.63	1/4-20	1.81	2.44	1.25	0.38	0.25	1.05	1.68	1/2-20	1/2-13	0.70
2.500	0.750	3.25	2.38	0.42	0.78	1/4	0.84	0.63	0.84	5/16-18	2.39	3.27	1.625	0.52	0.42	1.55	2.43	1/2-20	1/2-13	0.70
3.000	0.875	3.75	2.88	0.44	0.95	1/4	0.88	0.75	0.88	5/16-18	2.44	3.31	1.875	0.52	0.44	1.56	2.43	5/8-18	5/8-11	0.73
4.000	1.000	5.00	3.63	0.50	1.25	3/8	1.00	0.88	1.00	7/16-14	2.74	3.61	2.50	0.79	0.50	1.74	2.61	3/4-16	3/4-10	0.83

Length Adders Weights

Basic Cylinder Models

Length Adders (inches)

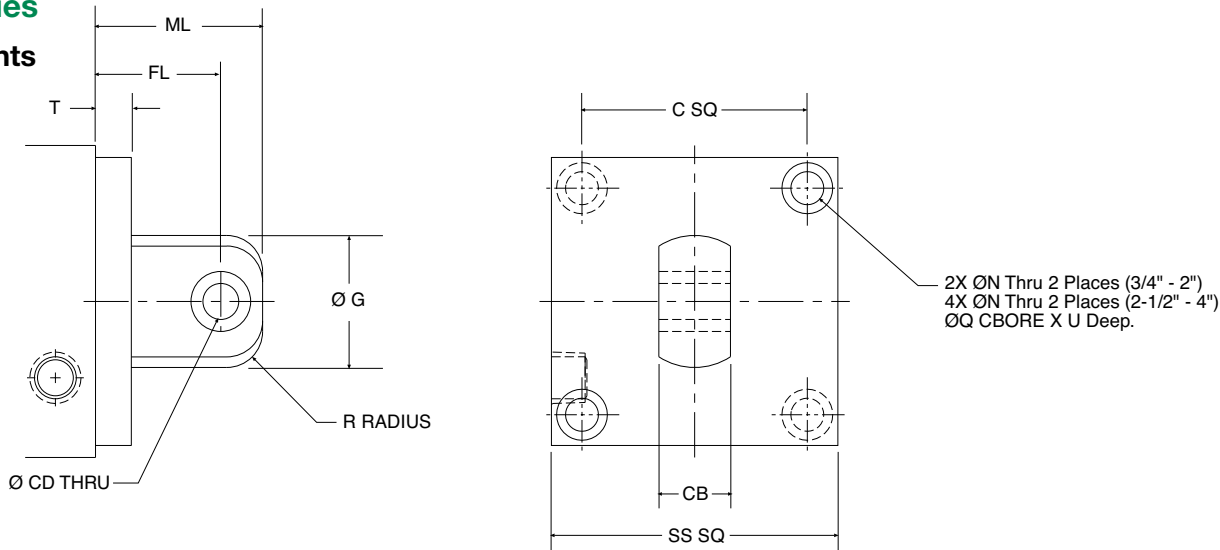
Bore	Low Breakaway	Wear Band	Magnetic Piston
3/4"	0.25	0.16	0.75
1-1/16"	0.38	0.19	0.50
1-1/2"	0.38	0.19	0.63
2"	0.38	0.19	0.63
2-1/2"	0.38	0.19	0.88
3"	0.50	0.19	0.88
4"	0.50	0.19	0.88

Weights (oz.)

Bore	Single Rod Double Acting		Double Rod Double Acting		Single Rod Single Acting		Single Rod Reverse Acting	
	Base	Per Additional 1/8" Stroke	Base	Per Additional 1/8" Stroke	Base	Per Additional 1/8" Stroke	Base	Per Additional 1/8" Stroke
3/4"	2.2	0.1	2.4	0.2	2.2	0.1	2.2	0.1
1-1/16"	5.1	0.2	5.7	0.4	5.1	0.2	5.5	0.2
1-1/2"	10.1	0.3	10.5	0.6	10.1	0.3	10.4	0.3
2"	14.2	0.4	16.0	0.8	14.2	0.4	15.0	0.4
2-1/2"	28.6	0.4	34.2	0.6	28.6	0.4	31.2	0.4
3"	40.2	0.6	49.3	0.9	40.2	0.6	43.8	0.6
4"	71.6	0.6	87.7	0.9	71.6	0.6	77.7	0.6

Accessories

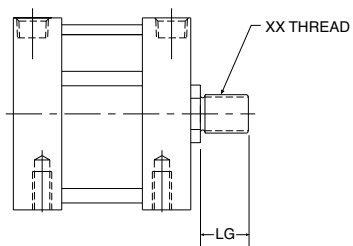
Pivot Mounts



NOTE: The standard pivot mount, code "P" is shown in its relationship to the port. If the 90° rotation pivot mount, code "R" is specified, then the pivot hole will be oriented 90° from the port.

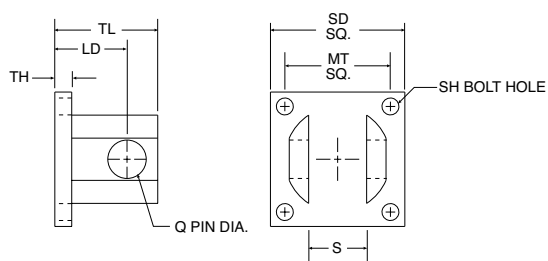
Bore	C	CB	CD	FL	G	ML	N	Q	R	SS	T	U
3/4"	0.75	0.38	0.188	0.75	0.75	1.00	0.17	0.28	-	1.13	0.19	0.12
1-1/16"	1.00	0.38	0.188	0.81	1.75	1.00	0.19	0.31	-	1.25	0.25	0.14
1-1/2"	1.38	0.75	0.375	1.19	1.38	1.63	0.22	0.38	-	1.75	0.25	0.16
2"	1.75	0.75	0.375	1.38	1.38	1.81	0.28	0.44	-	2.25	0.31	0.17
2-1/2"	2.36	0.75	0.375	1.31	1.38	1.75	0.34	0.53	0.38	3.00	0.38	0.26
3"	2.88	1.00	0.625	1.69	1.88	2.25	0.34	0.53	0.38	3.50	0.38	0.26
4"	3.62	1.00	0.625	1.75	1.88	2.31	0.47	0.72	0.38	4.50	0.44	0.43

Male Rod Ends



Bore	XX Fine	XX Coarse	LG
3/4"	10-32	10-24	0.38
1-1/16"	5/16-24	5/16-18	0.50
1-1/2"	3/8-24	3/8-16	0.50
2"	1/2-20	1/2-13	0.63
2-1/2"	1/2-20	1/2-13	0.63
3"	5/8-18	5/8-11	0.75
4"	3/4-16	3/4-10	0.75

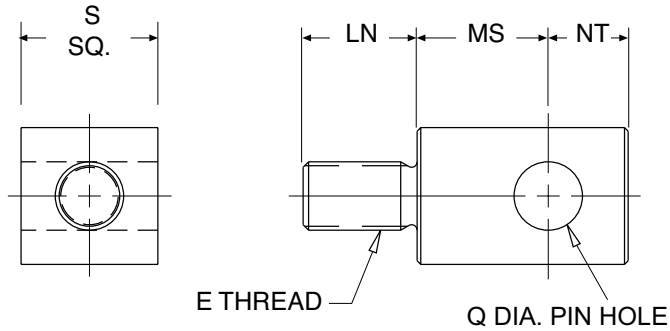
Clevis Bracket



Part #	Bore	LD	MT	Q	S	SH	SD	TH	TL
B513-B01	3/4" 1-1/8"	0.56	0.75	0.19	0.39	#6	1.00	0.16	0.78
B513-K01	1-1/2" 2" 2-1/2"	0.94	1.38	0.38	0.75	#10	1.75	0.22	1.34
B513-N01	3" 4"	1.25	2.00	0.63	1.00	0.25	2.50	0.25	1.81

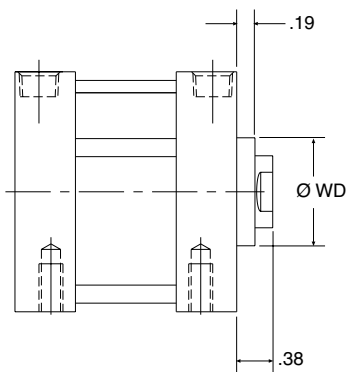
Accessories

Rod Pivot



Part #	Bore	E	LN	MS	NT	Q	S
B511-C01	3/4"	10-32	0.38	0.47	0.25	0.19	0.38
B511-G01	1-1/8"	5/16-24	0.63	0.47	0.25	0.19	0.38
B511-K01	1-1/2"	3/8-24	0.63	0.72	0.44	0.38	0.75
B511-L01	2" 2-1/2"	1/2-20	0.75	0.72	0.44	0.38	0.75
B511-N01	3"	5/8-18	0.88	1.00	0.63	0.63	1.00
B511-R01	4"	3/4-16	0.88	1.00	0.63	0.63	1.00

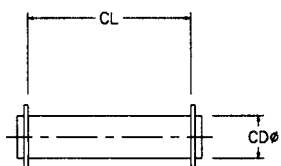
Wiper Option



Bore	WD
3/4"	0.69
1-1/16"	0.88
1-1/2"	1.00
2"	1.13
2-1/2"	1.13
3"	1.25
4"	1.38

Clevis Pins

1 1/2" to 4" Bores



Part No.	$\varnothing CD$	CL
B531-B01	0.188	0.750
B531-K01	0.375	1.313
B531-N01	0.625	1.813

B Square Series Global Switch Information

Cylinders	Bore	Part Number
B Square	2 1/2"-3" Bore	N199-1017
B Square	4" Bore	N199-1018

Stock Switch Assembly Numbers

Part Number	Type	Connection	Package Contains
940-G00-031	Electronic Sourcing (PNP)	9 ft cable	Switch & mounting adapter 3/4"-2" bore B-Square (part# SB6-C01)
940-G00-331	Electronic Sourcing (PNP)	8mm Quick Connect Pigtail	
940-G00-032	Electronic Sinking (NPN)	9 ft cable	
940-G00-332	Electronic Sinking (NPN)	8mm Quick Connect Pigtail	
940-H00-031	Electronic Sourcing (PNP)	9 ft cable	Switch & mounting adapter 2-1/4"-4" bore B-Square (part# SB6-M01)
940-H00-331	Electronic Sourcing (PNP)	8mm Quick Connect Pigtail	
940-H00-032	Electronic Sinking (NPN)	9 ft cable	
940-H00-332	Electronic Sinking (NPN)	8mm Quick Connect Pigtail	

Stock Switch Only Part Numbers

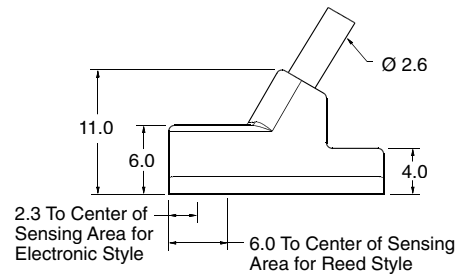
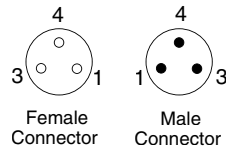
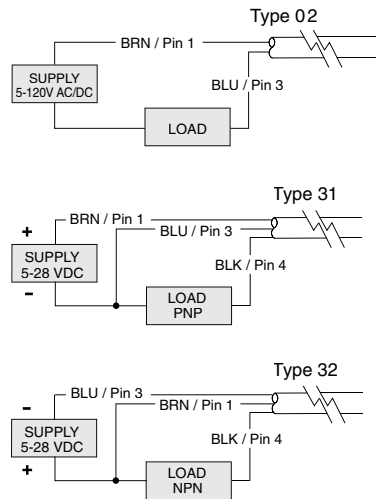
Part Number	Type	Connection	Package Contains
940-100-031	Electronic Sourcing (PNP)	9 ft cable	Switch only (includes dovetail adapter not used in B Square Series)
940-100-331	Electronic Sourcing (PNP)	8mm Quick Connect Pigtail	
940-100-032	Electronic Sinking (NPN)	9 ft cable	
940-100-332	Electronic Sinking (NPN)	8mm Quick Connect Pigtail	

B Square Series 9000 Series Switch Information

Cylinders	Bore	Part Number
B Square	3/4"-2" Bore	SB6-C01
B Square	2 1/2"-4" Bore	SB6-M01

Series 9000 Type 02, 31 & 32

Wiring Diagrams



Type Code	Description	Function	Switching Voltage	Switching Current	Switching Power	Switching Speed	Voltage Drop
940-100-002	Reed Switch for PLC's, LED (current limiting)	SPST Normally Open	5-120V AC/DC 50/60 Hz	0.03 Amps max. 0.001 Amps min.	4 Watts max.	0.4 ms operate 0.1 ms release	3.5 Volts @ 5 mA
940-100-031	Electronic for Reed Magnet, LED & Sourcing	PNP Normally Open	5-28 VDC	0.2 Amps max.	4.8 Watts max.	4 µs operate 4 µs release	1.0 Volts max
940-100-032	Electronic for Reed Magnet, LED & Sinking	NPN Normally Open	5-28 VDC	0.2 Amps max.	4.8 Watts max.	4 µs operate 4 µs release	1.0 Volts max



World Class Supplier of Pneumatic Components



World Headquarters

USA Numatics, Incorporated

46280 Dylan Drive
Novi, Michigan 48377

P: 248-596-3200
F: 248-596-3201

Canada Numatics, Ltd

P: 519-758-2700
F: 519-758-5540

México - Ascomatica SA de CV

P: 52 55 58 09 56 40 (DF y Area metropolitana)
P: 01 800 000 ASCO (2726) (Interior de la República)
F: 52 55 58 09 56 60

Brazil Ascoval Ind.e Comercio Ltda

P: (55) 11-4208-1700
F: (55) 11-4195-3970