

Designed for CoBot
Lift up to 20 times its weight!

SAFE & LIGHT

FOAM VACUUM GRIPPER

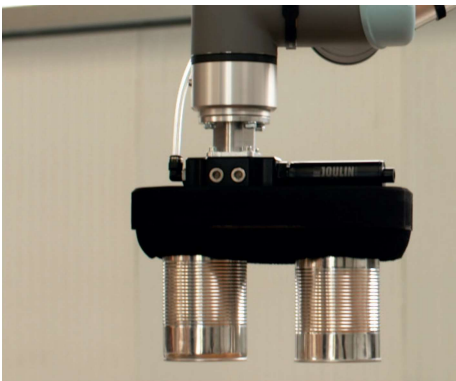
Europe
17 avenue des Grenots

USA
2551 HWY 70 SW - HICKORY

 **JOULIN**
vacuum handling

Designed for CoBot

Lift up to 20 times its weight!



VERSATILE

- Handle all your products without any adjustment from cardboard boxes, to slip sheets, cans, wood boards, shrink wrapped packs and many other types
- Valves technology available for constant gripping power regardless of the type of product
- Including new magnetic system EasyFoam for quick and easy foam replacement
- Rugged and not affected by dust

COMPACT

- Naturally adapted for collaborative application with the foam body
- Extremely resistant for high duties with his carbon fibre structure
- Available with internal or external vacuum generation

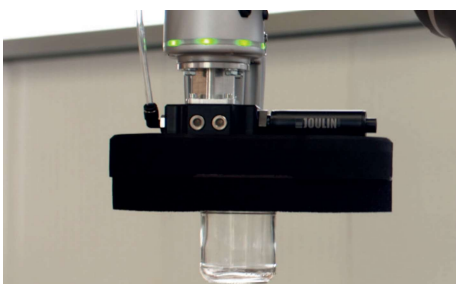
EASY TO INSTALL

- Robot fixing kit available for popular robots as well as specific needs on request (option)
- Valve kit for venturi available for a "Plug and Play" solution (option)

TECHNICAL DATA

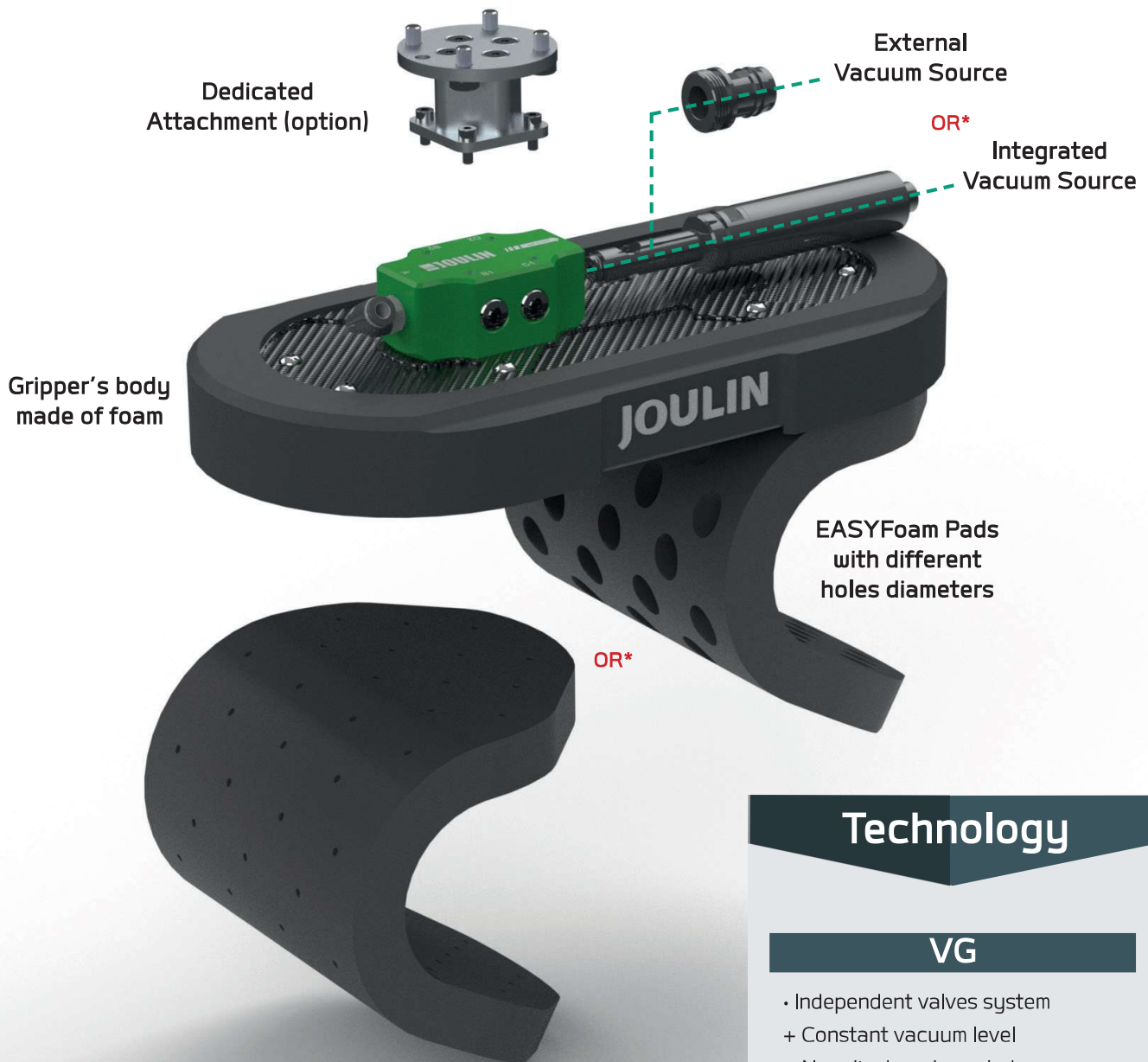
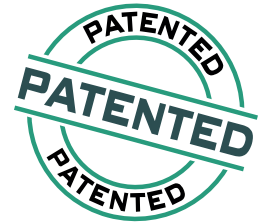
Reference	Maximal Dimension mm	Mass g - (lbs)	Air Consumption NI/sec (scfm) @ 6bar - 87 psi	Max Flow NI/sec (scfm)	Lifting Capacity ¹ - kg (lbs)
SL-VG-120x240-1STH	130x250x90	720 (1.6)	3.58 (7.59)	4.48 (9.5)	30 (66)
SL-PG-120x240-1STH	130x250x82	770 (1.7)	3.58 (7.59)	4.48 (9.5)	30 (66)
SL-VG-160x320-1STH	170x330x90	1015 (2.2)	3.58 (7.59)	4.48 (9.5)	59 (129.8)
SL-PG-160x320-1STH	170x330x82	1080 (2.4)	3.58 (7.59)	4.48 (9.5)	59 (129.8)

¹. information could change depending on your picked products
We would be happy to test your products in our show-rooms.



Total foam body

Safe to work around operators



Technology

VG

- Independent valves system
- + Constant vacuum level
- + No adjustment needed

PG

- Calibrated holes system
- + Economical solution
- + Picking upside down

Our grippers are protected by several exclusive brands and patents

Ready to use!

With accessories to fit your needs



LABELLING

SL -VG -120x240 -1STH

- Range of the gripper**

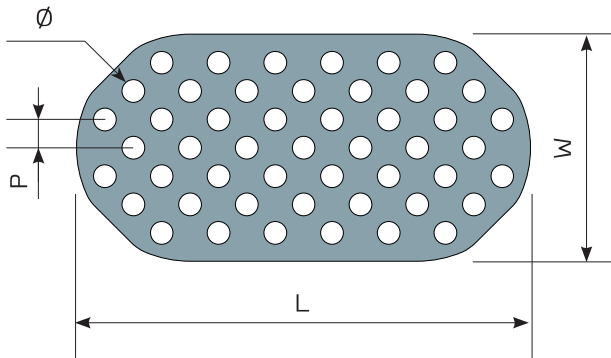
 - SL Safe&Light
- Technology**

 - PG Port Gripper
 - VG Valve Gripper
- Dimensions**

 - 120x240mm
 - 160x320mm
- Integrated vacuum source**

 - 1STH 1 stage high flow
 - HB Hose barb

FOAMS



- New magnetic system **EASYFoam**
- Fast and **easy removal** of foam **from the gripper**
- **Can be removed/replaced** an unlimited number of times
- **No adhesive** to remove at foam change
- **Quick delivery**

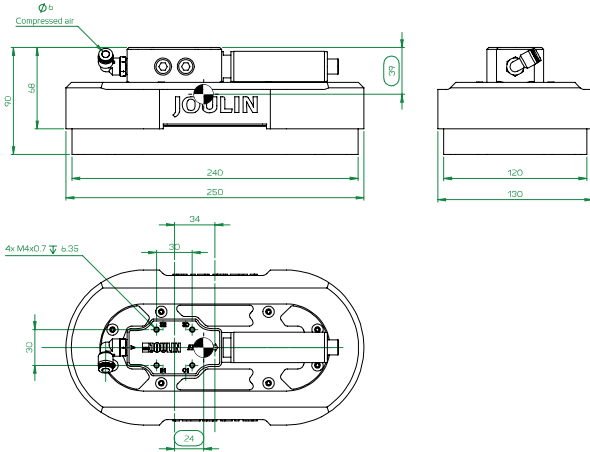
Reference	Width (W) - mm	Length (L) - mm	Thickness - mm	Pitch (P)	Holes Diameter (Ø)
SLF.120.240.24.US.49.3*	120	240	24	15	3
SLF.120.240.24.US.49.12	120	240	24	15	12
SLF.160.320.24.US.49.3	160	320	24	20	3
SLF.160.320.24.US.49.16	160	320	24	20	16

* Holes Ø3mm are designed for hollow products (option)

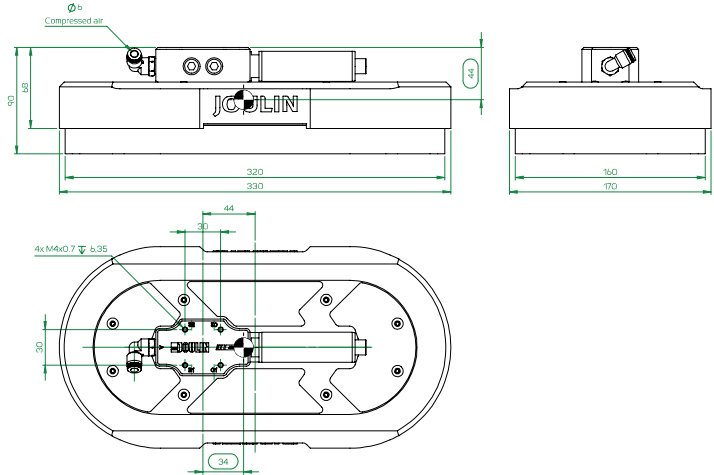


INTEGRATION

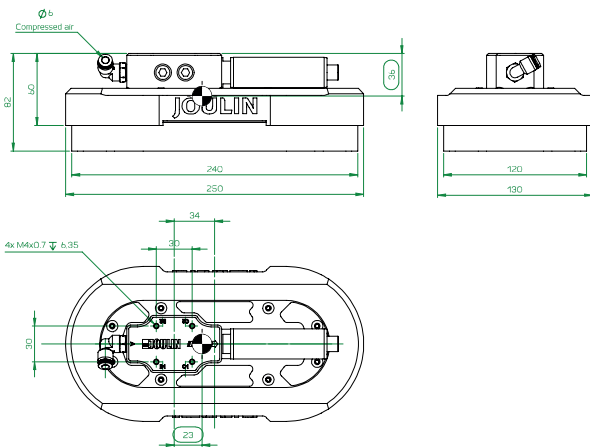
SL-VG-120x240-1STH



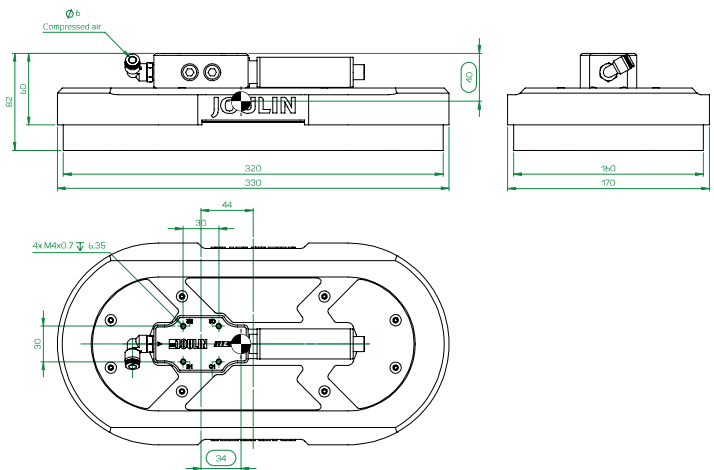
SL-VG-160x320-1STH



SL-PG-120x240-1STH



SL-PG-160x320-1STH



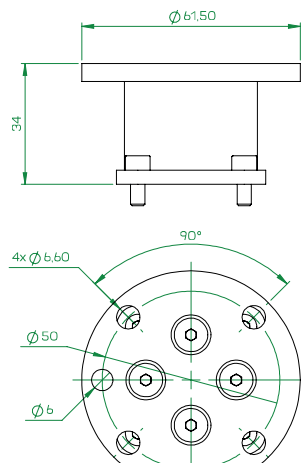
ADAPTATION - OPTIONS

FIXTURE 4M6-D50

- With 4xM6 for Ø50mm
- ISO 9409-1-50-4-M6
- Compatible with UR and Omron



Mass 125g



VALVE KIT FOR VENTURI

- Valve with Ø6mm fittings
- Includes M8 connecting cable
- 3m of pneumatic tubing Ø6mm





USA

2551 Hwy 70 SW - HICKORY
NC-28602

Phone : +(1) 828 327 2290

Fax : +(1) 828 327 8678

France

17 avenue des Grenots
F-91150 ETAMPES

Tél. +33 (0)1 69 92 16 16

Fax +33 (0)1 64 94 21 35

